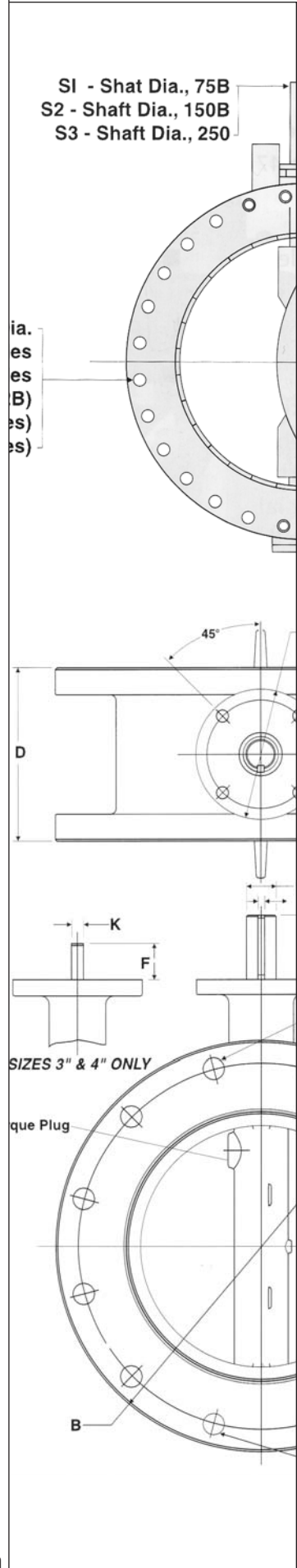
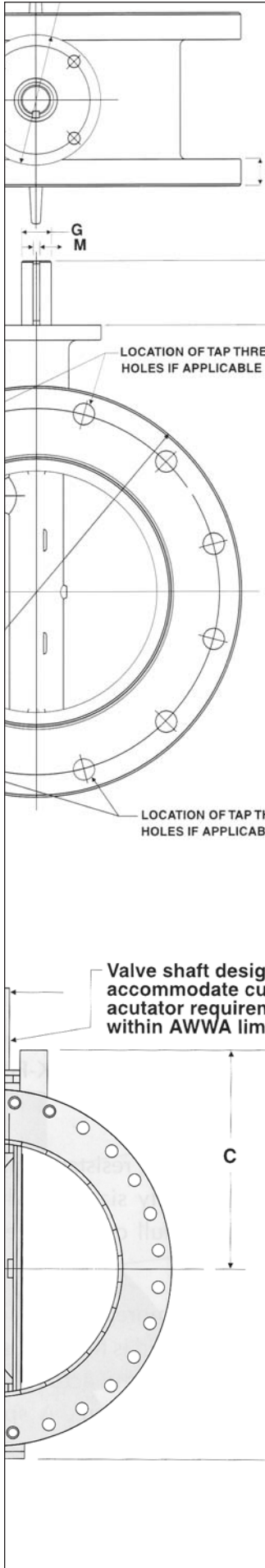


K-FLO

BUTTERFLY VALVES

AWWA C504 COMPLIANT VALVES FROM 3" THRU 96"

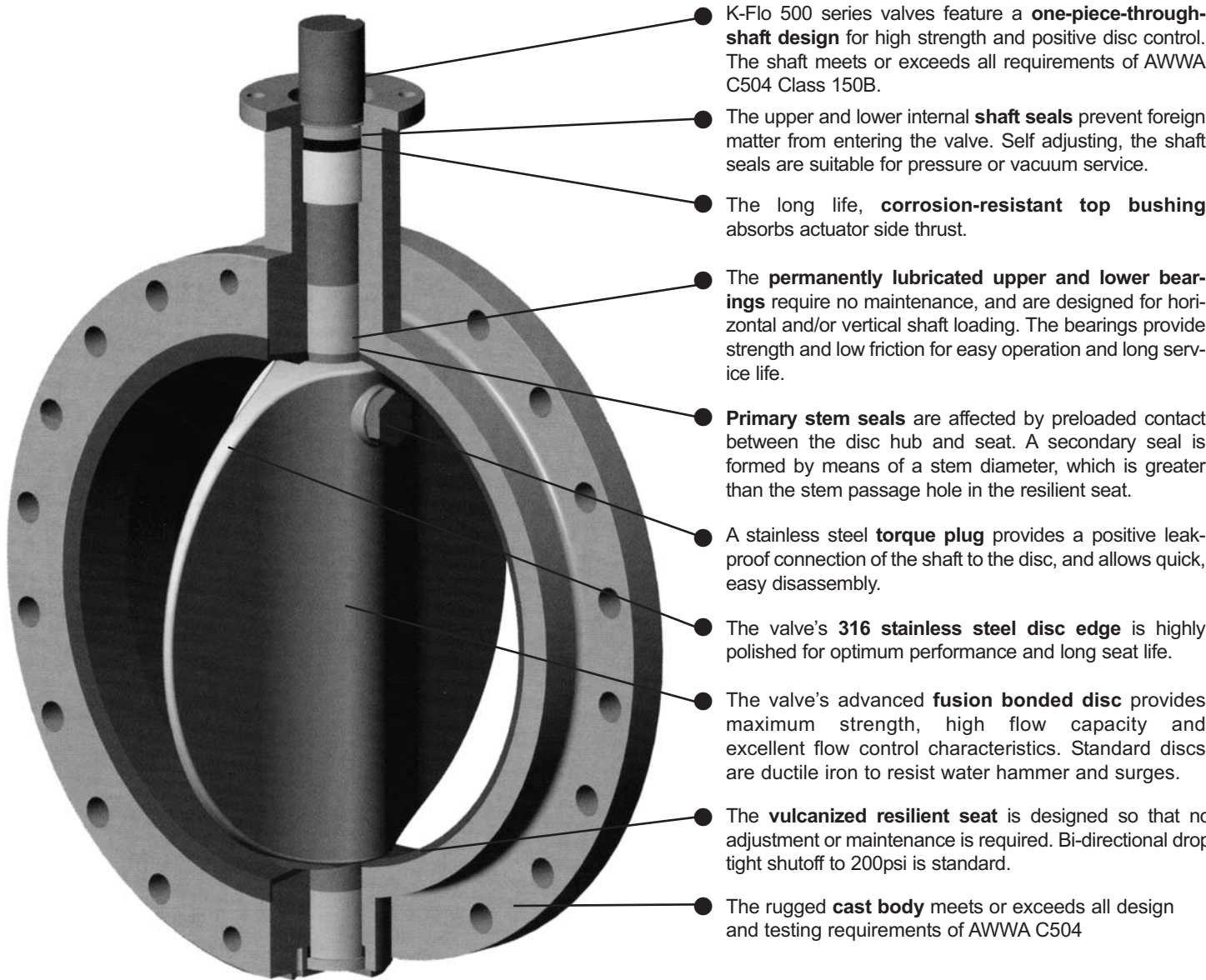


600 Fowler Ave.
Berwick PA 18603

800-247-VALV
www.crispinvalve.com

500 SERIES: Sizes 3"-20" Available

The K-Flo 500 Series is a heavy-duty resilient seated butterfly valve line in full compliance with AWWA C504 for use in municipal, power and industrial applications. Every K-Flo 500 Series butterfly valve is tested for performance, seat leakage and body leakage in accordance with AWWA C504 standards. 500 Series valves are available in flanged or mechanical joint configurations.



- K-Flo 500 series valves feature a **one-piece-through-shaft design** for high strength and positive disc control. The shaft meets or exceeds all requirements of AWWA C504 Class 150B.
- The upper and lower internal **shaft seals** prevent foreign matter from entering the valve. Self adjusting, the shaft seals are suitable for pressure or vacuum service.
- The long life, **corrosion-resistant top bushing** absorbs actuator side thrust.
- The **permanently lubricated upper and lower bearings** require no maintenance, and are designed for horizontal and/or vertical shaft loading. The bearings provide strength and low friction for easy operation and long service life.
- **Primary stem seals** are affected by preloaded contact between the disc hub and seat. A secondary seal is formed by means of a stem diameter, which is greater than the stem passage hole in the resilient seat.
- A stainless steel **torque plug** provides a positive leak-proof connection of the shaft to the disc, and allows quick, easy disassembly.
- The valve's **316 stainless steel disc edge** is highly polished for optimum performance and long seat life.
- The valve's advanced **fusion bonded disc** provides maximum strength, high flow capacity and excellent flow control characteristics. Standard discs are ductile iron to resist water hammer and surges.
- The **vulcanized resilient seat** is designed so that no adjustment or maintenance is required. Bi-directional drop tight shutoff to 200psi is standard.
- The rugged **cast body** meets or exceeds all design and testing requirements of AWWA C504

MATERIALS

SIZES

3"-24" (meets or exceeds AWWA C504)

BODY

Cast Iron (ASTM A126, Class B); Ductile Iron (optional); (ASTM A536 Grade 65/45/12)

SEAT

Seating of Synthetic Rubber bonded to cast iron body. (tested in accordance with ASTM D429, Method B)

STEM

Stainless Steel

DISC

Ductile Iron w/ 316 Stainless Steel Edge
All discs are coated with a fusion epoxy for extra long product life

UPPER STEM BUSHING

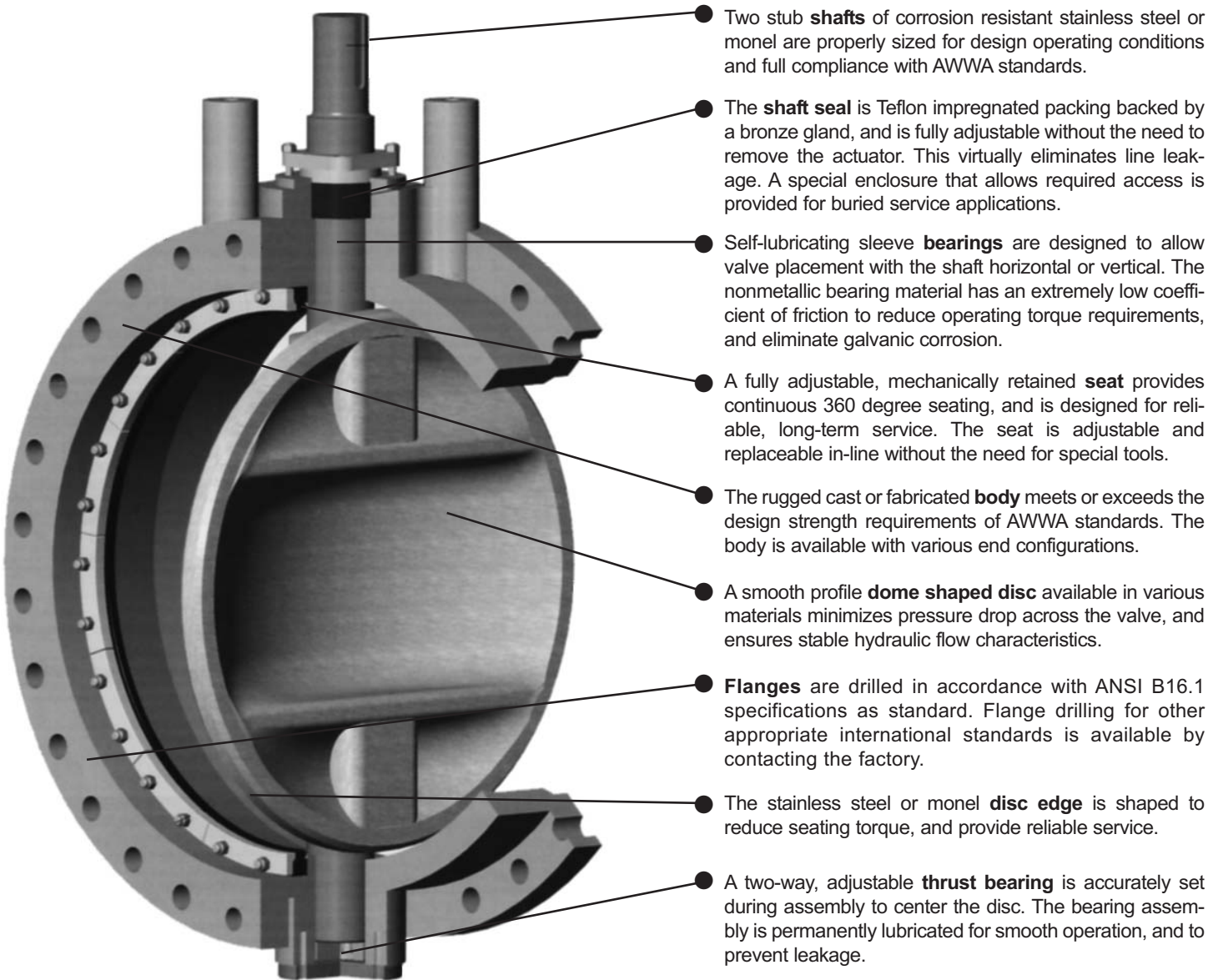
Polyester

INBOARD BEARINGS

316 Stainless Steel;
TFE Fabric Lined

47 SERIES: Sizes 24"-96" Available

The K-Flo Wolverine 47 Series butterfly valve is a large diameter valve line designed for a wide variety of liquid and gaseous applications. With over 50 years of service in the field, the K-Flo 47 series design is fully compliant with AWWA C504 requirements. Series 47 valves are available in flanged connections thru 96, and mechanical joint connects thru 48".



Two stub **shafts** of corrosion resistant stainless steel or monel are properly sized for design operating conditions and full compliance with AWWA standards.

The **shaft seal** is Teflon impregnated packing backed by a bronze gland, and is fully adjustable without the need to remove the actuator. This virtually eliminates line leakage. A special enclosure that allows required access is provided for buried service applications.

Self-lubricating sleeve **bearings** are designed to allow valve placement with the shaft horizontal or vertical. The nonmetallic bearing material has an extremely low coefficient of friction to reduce operating torque requirements, and eliminate galvanic corrosion.

A fully adjustable, mechanically retained **seat** provides continuous 360 degree seating, and is designed for reliable, long-term service. The seat is adjustable and replaceable in-line without the need for special tools.

The rugged cast or fabricated **body** meets or exceeds the design strength requirements of AWWA standards. The body is available with various end configurations.

A smooth profile **dome shaped disc** available in various materials minimizes pressure drop across the valve, and ensures stable hydraulic flow characteristics.

Flanges are drilled in accordance with ANSI B16.1 specifications as standard. Flange drilling for other appropriate international standards is available by contacting the factory.

The stainless steel or monel **disc edge** is shaped to reduce seating torque, and provide reliable service.

A two-way, adjustable **thrust bearing** is accurately set during assembly to center the disc. The bearing assembly is permanently lubricated for smooth operation, and to prevent leakage.

MATERIALS

SIZES

30"-72" in AWWA Class 25, 75, 150
(meets or exceeds AWWA C504)
(sizes 78" and above are AWWA compliant)

BODY

Cast Iron (ASTM A126, Class B)
Ducile Iron (ATM A536, Grade 65-45-12)

DISC

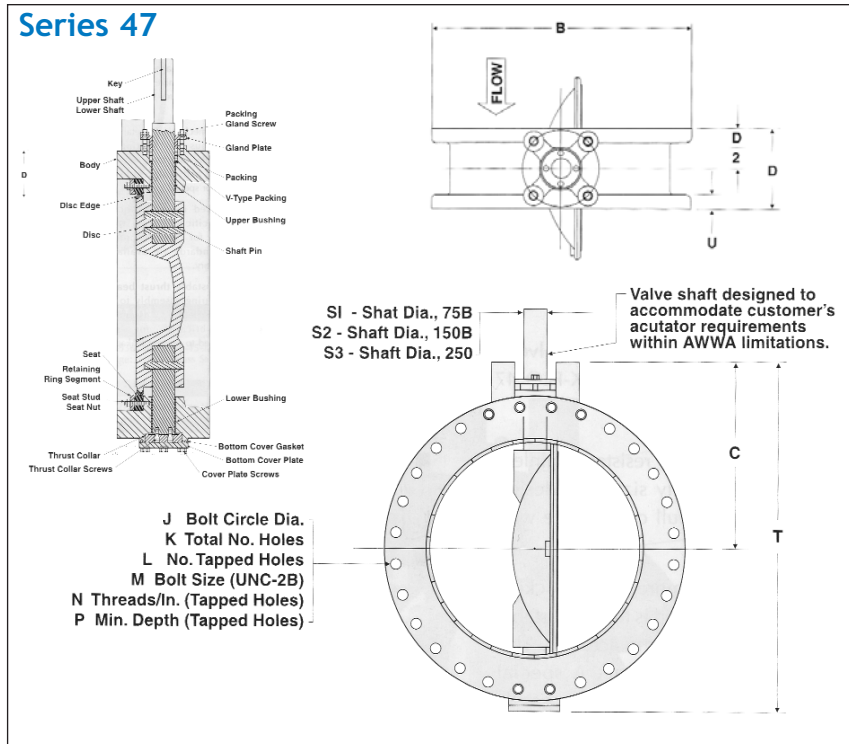
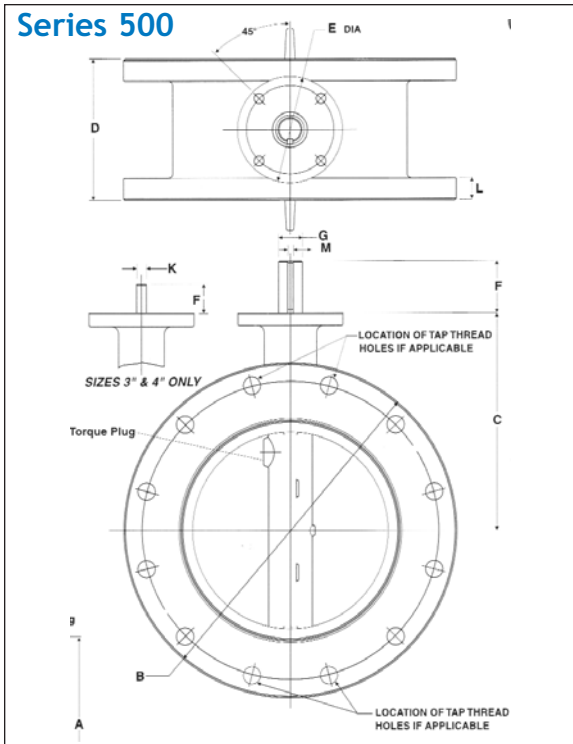
Ductile Iron (ASTM A536, Grade 65-45-12)
w/ 316 Stainless Steel Edge

STEM

ASTM A276, Grade 304 or 316
Optional Monel, 17-4PH

SEAT

Buna-N
EDPM Optional



K-FLO Model 504 (Flanged x Flanged)

Size	TOP PLATE												FLANGE DRILLING						Wt. lbs.	
	A	B	C	D	E	F	G	K	L	M (Key)	Q	Bolt Circle	#of holes	Hole Size	Bolt Circle	# of Holes	Hole Size	Tapped Holes		Tap Thread
in.	in.	in.	in.	in.	in.	in.	in.	in.	in.	in.	in.	in.	in.	in.	in.	in.	in.	in.	in.	in.
3	2 ³ / ₄	7 ¹ / ₂	6 ⁵ / ₁₆	5	4	1 ¹ / ₄	9 ⁹ / ₁₆	3 ³ / ₈	3 ³ / ₄	n/a	n/a	3 ¹ / ₄	4	7 ⁷ / ₁₆	6	4	3 ³ / ₄	n/a	n/a	29
4	3 ⁹ / ₁₆	9	7 ¹ / ₁₆	5	4	1 ¹ / ₄	5 ⁵ / ₈	7 ⁷ / ₁₆	15 ¹⁵ / ₁₆	n/a	n/a	3 ¹ / ₄	4	7 ⁷ / ₁₆	7 ⁷ / ₂	8	3 ³ / ₄	n/a	n/a	48
6	5 ¹ / ₂	11	8 ¹ / ₁₆	5	6	2	1 ¹ / ₈	n/a	1	1 ¹ / ₄ sq	2 ³ / ₄	5	4	9 ⁹ / ₁₆	9 ⁹ / ₂	8	7 ⁷ / ₈	n/a	n/a	58
8	7 ¹ / ₂	13 ¹ / ₂	9 ⁹ / ₁₆	6	6	2	1 ¹ / ₈	n/a	1 ¹ / ₈	1 ¹ / ₄ sq	4 ⁷ / ₈	5	4	9 ⁹ / ₁₆	11 ³ / ₄	8	7 ⁷ / ₈	n/a	n/a	96
10	9 ⁵ / ₈	16	10 ¹³ / ₁₆	8	6	3	1 ³ / ₈	n/a	1 ³ / ₁₆	5 ⁵ / ₁₆ sq	5 ⁴ / ₇	5	4	9 ⁹ / ₁₆	14 ¹ / ₄	12	1	n/a	n/a	150
12	11 ¹¹ / ₃₂	19	12 ⁵ / ₁₆	8	6	3	1 ³ / ₈	n/a	1 ¹ / ₄	5 ⁵ / ₁₆ sq	8 ³ / ₈	5	4	9 ⁹ / ₁₆	17	12	1	n/a	n/a	204
14	12 ¹⁵ / ₁₆	21	14 ¹ / ₁₆	8	6	3	1 ⁵ / ₈	n/a	1 ⁷ / ₁₆	3 ³ / ₈ sq	10 ¹ / ₂	6 ¹ / ₂	4	9 ⁹ / ₁₆	18 ³ / ₄	12	1 ¹ / ₈	n/a	n/a	267
16	15 ⁵ / ₃₂	23 ¹ / ₂	15 ¹ / ₁₆	8	8	3	1 ⁷ / ₈	n/a	1 ¹ / ₂	1 ¹ / ₂ x 3 ³ / ₈	13 ¹ / ₈	6 ¹ / ₂	4	13 ¹³ / ₁₆	21 ¹ / ₄	16	1 ¹ / ₈	4	1 ¹ / ₈	354
18	17	25	16 ⁹ / ₁₆	8	8	1 ¹ / ₄	2 ¹ / ₄	n/a	1 ⁵ / ₈	1 ¹ / ₂ x 3 ³ / ₈	15 ¹ / ₄	6 ¹ / ₂	4	13 ¹³ / ₁₆	22 ³ / ₄	16	1 ¹ / ₄	4	1 ¹ / ₈	433
20	18 ¹⁵ / ₁₆	27 ¹ / ₂	18 ¹ / ₁₆	8	8	1 ¹ / ₄	2 ¹ / ₄	n/a	1 ³ / ₄	1 ¹ / ₂ x 3 ³ / ₈	17 ³ / ₈	6 ¹ / ₂	4	13 ¹³ / ₁₆	25	20	1 ¹ / ₄	4	1 ¹ / ₈	586
24	22 ⁵ / ₁₆	32	19 ⁹ / ₁₆	8	8	1 ¹ / ₄	2 ¹ / ₄	n/a	1 ⁷ / ₈	3 ³ / ₄ x 1 ¹ / ₂	21 ¹ / ₈	6 ¹ / ₂	4	13 ¹³ / ₁₆	29 ¹ / ₂	20	1 ³ / ₈	4	1 ¹ / ₄₋₇	780

- Flange drilling per ANSI B16.1 Class 125
- "Q" Dimension is the minimum allowable inside diameter at the centered body face to protect the disc sealing edge from damage when opening the valve.
- Model 504 valves are designed in full compliance with AWWA C504. The Model 504 is a heavy duty, fully AWWA C504 compliant, resilient-seated, flanged-end butterfly valve.

K-FLO Model 47 (AWWA Class 75B and 150B)

Size	B	C	D	J	K	L	M	N	P	S1	S2	T	U	WT. 75B lbs.	WT. 150B lbs.
in.	in.	in.	in.	in.	in.	in.	in.	in.	in.	in.	in.	in.	in.	lbs.	lbs.
30	38 ³ / ₄	25 ³ / ₈	12	36	28	6	1 ¹ / ₄	7	1 ⁷ / ₈	3	3 ⁵ / ₈	46 ¹ / ₂	2 ¹ / ₈	1550	1650
36	46	28 ³ / ₄	12	42 ³ / ₄	32	6	1 ¹ / ₂	6	2 ¹ / ₄	3 ⁵ / ₈	4 ³ / ₈	53 ⁹ / ₁₆	2 ³ / ₈	2190	2380
42	53	30 ¹⁵ / ₁₆	12	49 ¹ / ₂	36	6	1 ¹ / ₂	6	2 ³ / ₈	4 ³ / ₈	5	58 ⁹ / ₁₆	2 ⁵ / ₈	3000	3260
48	59 ¹ / ₂	34 ³ / ₄	15	56	44	8	1 ¹ / ₂	6	2 ¹ / ₄	5	5 ⁵ / ₈	66	2 ³ / ₄	4150	4490
54	66 ¹ / ₄	40 ³ / ₁₆	15	62 ³ / ₄	44	8	1 ³ / ₄	5	2 ¹ / ₂	5 ⁵ / ₈	6 ³ / ₄	75 ¹¹ / ₁₆	3	5110	5970
60	73	43 ⁵ / ₁₆	15	69 ¹ / ₄	52	8	1 ³ / ₄	5	2 ¹ / ₂	6	7 ¹ / ₄	82 ⁹ / ₁₆	3 ¹ / ₈	6240	7550
66	80	47	18	76	52	8	1 ³ / ₄	5	2 ¹ / ₂	6 ³ / ₄	7 ³ / ₄	90	3 ³ / ₈	8200	9920
72	86 ¹ / ₂	51 ¹ / ₁₆	18	82 ¹ / ₂	60	10	1 ³ / ₄	5	2 ¹ / ₂	7 ¹ / ₂	8 ¹ / ₂	97 ⁷ / ₁₆	3 ¹ / ₂	10100	12050

- Series 47 (class 75B and 150B) valves fully comply with AWWA C504's latest edition.
- Series 47 valves have passed the proof of design tests of AWWA C504
- "Q" Dimension is the minimum allowable inside diameter at the centered body face to protect the disc sealing edge from damage when opening the valve.
- Consult factory for valve dimensions in sizes greater than 72".