

PROCO

The Expansion Joint and Check Valve People



MOLDED SPHERICAL JOINTS STYLE 240

Proco Style 240 Molded Spherical Joints

Proco Style 240 Spherical Molded Expansion Joints are designed for piping systems to absorb pipe movements, relieve stress, reduce system noise/vibration, compensate for misalignment/offset and to protect rotating mechanical equipment against start-up surge forces.

The molded style 240 single sphere designed bellows are inherently stronger than the conventional hand-built style spool arch type. Internal pressure within a "sphere" is exerted in all directions, distributing forces evenly over a larger area. The spherical design "flowing arch" reduces turbulence and sediment buildup.

Features and Benefits:

Absorbs Directional Movement

Thermal movements appear in any rigid pipe system due to temperature changes. The Style 240 spherical arch expansion joints allow for axial compression or axial extension, lateral deflection as well as angular movement. (Note: Rated movements in this publication are based on single plane movements. Multiple movement conditions are based on a multiple movement calculation. Contact Proco for information when designing multiple pipe movements.)

Easy Installation with Rotating Metallic Flanges

The floating metallic flanges freely rotate on the bellows, compensating for mating flange misalignment, thus speeding up installation time. Gaskets are not required with the Style 240, provided the expansion joints are mated against a flat face flange as required in the installation instructions.

Flange Materials/Drilling

The Proco Style 240 molded expansion joints are furnished complete with plated carbon steel flanges for corrosion protection. 304 or 316 stainless steel flanges are available upon request as well as ANSI 250/300 lb., BS-10, DIN PN10 & PN16 and JIS-10K drilling.

Absorbs Vibration, Noise and Shock

The Proco Style 240 molded expansion joints effectively dampen and insulate downstream piping against the transmission of noise and vibration generated by mechanical equipment. Noise and vibration caused by equipment can cause stress in pipe, pipe guides, anchors and other equipment downstream. Water hammer and pumping impulses can also cause strain, stress or shock to a piping system. Install the Style 240 molded expansion joints to help compensate for these system pressure spikes.

Wide Service Range with Low Cost

Engineered to operate up to 300 PSIG or 265°F, the Proco Style 240 can be specified for a wide range of piping requirements.

Compared to conventional hand-built spool type joints, you will invest less money when specifying the mass-produced, consistent high quality, molded single or twin sphere expansion joints.

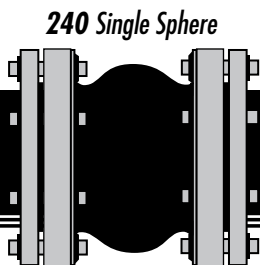
Material Identification

All Style 240 molded expansion joints have branded elastomer designations. Neoprene Tube/Neoprene Cover (NN) and Nitrile Tube/Neoprene Cover (NP) elastomer designated joints meet the Coast Guard Requirements and conform to ASTM F1123-87. 240C/NP-9 joints have ABS certification.

Large Inventory

Proco Products, Inc. maintains one of the largest inventories of rubber expansion joints in the world. Please contact us for price and availability.

Table 1: Available Styles • Materials							
For Specific Elastomer Recommendations, See: PROCO "Chemical To Elastomer Guide"							
240-A	240-C	240-AN/D, E, M	PROCO Material Code	Cover Elastomer ¹	Tube Elastomer ²	Maximum Operating Temp. °F	Identifying Color Band/Label
		X	/BB ³	Chlorobutyl	Chlorobutyl	250°	Black
		X	/EE ^{3,7}	EPDM	EPDM	250°	Red
X	X		/EE ^{3,4}	EPDM	FDA-EPDM	250°	Red
		X	/EQ ³	EPDM	FDA-EPDM	250°	Red
X	X		/EE-9 ^{3,5}	EPDM	EPDM	265°	DBL Red
		X	/HH	CSM	CSM	212°	Green
	X	X	/NH	Neoprene	CSM	212°	Green
	X	X	/NJ	Neoprene	FDA-Nitrile	212°	White
	X	X	/NN ⁷	Neoprene	Neoprene	225°	Blue
X	X	X	/NP	Neoprene	Nitrile	212°	Yellow
X	X		/NP-9 ⁶	Neoprene	Nitrile-ABS	212°	DBL Yellow



Protecting Piping and Equipment Systems from Stress/Motion

Notes: All Products are reinforced with Nylon Tire Cord, except 240-A and 240-C which are reinforced with Polyester.

1. All NN & NP elastomer designated joints meet the Coast Guard Requirements and conform to ASTM F 1123-87 and are marked accordingly.
2. Branding Label will be marked as "Food Grade".
3. BB, EE or EE-9 are good for 300°F blower service at 20 PSI or less.
4. 240-A & 240-C expansion joints have black EPDM tube, but are FDA compliant.
5. EE-9 joints are peroxide cured.
6. NP-9 joints have ABS certification.
7. Elastomers are in accordance with NSF/ANSI 372, File MH47689 Und. Lab. Classified.
8. All elastomers above are not intended for steam service.
9. For PTFE lined single sphere see www.procoproducts.com/ptfelined.html
10. For 240A & 240C Rubber Joints, Vacuum Support devices are available. Published movements will be reduced by approximately 50% for this option.

Information subject to change without notice.

Style 240 Single Sphere Performance Data

Table 2: Sizes • Movements • Pressures • Flange Standards • Weights

NOMINAL Pipe Size I.D.	Neutral Length	PROCO Style Number ¹	240 Movement Capability: From Neutral Position (Non-Concurrent) ²					Pressure ⁴		Standard Flange Drilling Dimensions ⁸					Weight in lbs	
			Axial Compression Inches	Axial Extension Inches	Lateral Deflection Inches	Angular Deflection Degrees	Thrust Factor ³	Positive PSIG ^{5,9}	Vacuum ⁶ Inches of Hg	Flange O.D. Inches	Bolt Circle Inches	Number of Holes	Size of Holes Inches	Bolt Hole ⁷ Thread	Exp. Joint & Flanges	Control Unit Set (2 Rod)
1 (25)	5.00	240-C	1.063	1.250	1.188	45	4.43	225	26	4.25	3.13	4	0.625	1/2-13 UNC	3.8	3.3
	6.00	240-AV	0.500	0.375	0.500	37										
1.25 (32)	3.74	240-D	0.312	0.188	0.312	45	6.34	225	26	4.63	3.5	4	0.625	—	4.6	3.3
	5.00	240-C	1.063	1.250	1.188	17		235	21				0.625	—	5.0	
	5.00	240-E	0.500	0.375	0.500	31		225	26				0.625	—	5.0	
	6.00	240-AV	0.500	0.375	0.500	31		225	26				0.625	1/2-13 UNC	5.0	
1.5 (40)	3.74	240-D	0.375	0.188	0.312	14	6.49	225	26	5.0	3.88	4	0.625	—	5.4	4.6
	4.00	240-M	0.375	0.188	0.312	14		225	26				0.625	—	5.5	
	5.00	240-C	1.063	1.250	1.188	45		235	18				0.625	—	5.1	
	5.00	240-E	0.500	0.375	0.500	27		225	26				0.625	—	6.0	
	6.00	240-AV	0.500	0.375	0.500	27		225	26				0.625	1/2-13 UNC	6.1	
2 (50)	4.00	240-M	0.375	0.188	0.312	11	7.07	225	26	6.0	4.75	4	0.750	—	8.3	6.3
	4.13	240-D	0.375	0.188	0.312	11		225	26	6.0	4.75	4	0.750	—	8.5	6.3
	5.00	240-C	1.063	1.250	1.188	45		235	18	6.0	4.75	4	0.750	—	7.1	6.3
	5.00	240-E	0.375	0.375	0.500	20		225	26	6.0	4.75	4	0.750	—	8.5	6.3
	6.00	240-A	1.188	1.188	1.188	45		235	18	6.0	4.75	4	0.750	—	7.1	6.3
	6.00	240-AV	0.500	0.375	0.500	20		225	26	6.0	4.75	4	0.750	5/8-11 UNC	12.3	7.6
	6.00	Q-240-HW	0.500	0.375	0.500	20		300	26	6.5	5.0	8	0.750	—	11.0	7.6
2.5 (65)	4.00	240-M	0.375	0.188	0.375	8	11.05	225	26	7.0	5.5	4	0.750	—	12.0	7.6
	4.53	240-D	0.500	0.188	0.375	11		225	26				0.750	—	12.3	
	5.00	240-C	1.063	1.250	1.188	45		235	18				0.750	—	10.6	
	5.00	240-E	0.500	0.375	0.500	17		225	26				0.750	—	12.0	
	6.00	240-A	1.188	1.188	1.188	43		235	18				0.750	—	12.0	
	6.00	240-AV	0.500	0.375	0.500	17		225	26				0.750	5/8-11 UNC	12.3	
3 (80)	5.00	240-C	1.063	1.250	1.188	40	13.36	235	15	7.5	6.0	4	0.750	—	13.3	8.3
	5.00	240-E	0.500	0.375	0.500	14		225	26	7.5	6.0	4	0.750	—	14.0	8.3
	5.12	240-D	0.500	0.375	0.500	14		225	26	7.5	6.0	4	0.750	—	14.0	8.3
	6.00	240-A	1.188	1.188	1.188	38		235	15	7.5	6.0	4	0.750	—	13.8	8.3
	6.00	240-AV	0.500	0.375	0.500	14		225	26	7.5	6.0	4	0.750	5/8-11 UNC	14.0	8.3
	6.00	240-AV	0.500	0.375	0.500	14		225	26	7.5	6.0	4	0.750	5/8-11 UNC	15.0	8.7
	8.00	240-AV	0.500	0.375	0.500	14		225	26	7.5	6.0	4	0.750	5/8-11 UNC	15.0	8.7
	6.00	Q-240-HW	0.500	0.375	0.500	14		300	26	8.25	6.62	8	0.875	—	17.5	8.3
3.5 (90)	6.00	240-AV	0.500	0.375	0.500	12	18.67	225	26	8.5	7.0	8	0.750	5/8-11 UNC	17.6	7.4
4 (100)	5.00	240-C	1.063	1.250	1.188	32	22.69	235	15	9.0	7.5	8	0.750	—	16.5	7.4
	5.00	240-E	0.750	0.500	0.500	14		225	26	9.0	7.5	8	0.750	—	17.0	7.4
	5.32	240-D	0.750	0.500	0.500	14		225	26	9.0	7.5	8	0.750	—	17.1	7.4
	6.00	240-A	1.188	1.188	1.188	30		235	15	9.0	7.5	8	0.750	—	17.5	7.4
	6.00	240-AV	0.750	0.500	0.500	14		225	26	9.0	7.5	8	0.750	5/8-11 UNC	18.3	7.4
	6.00	240-AV	0.750	0.500	0.500	14		225	26	9.0	7.5	8	0.750	5/8-11 UNC	19.3	7.8
	6.00	Q-240-HW	0.750	0.500	0.500	14		300	26	10.0	7.88	8	0.750	—	26.0	7.4
5 (125)	5.00	240-C	1.063	1.250	1.188	27	30.02	235	10	10.0	8.5	8	0.875	—	20.3	8.3
	5.00	240-E	0.750	0.500	0.500	11		225	26	10.0	8.5	8	0.875	—	22.0	8.3
	6.00	240-A	1.188	1.188	1.188	25		235	10	10.0	8.5	8	0.875	—	21.8	8.3
	6.00	240-AV	0.750	0.500	0.500	11		225	26	10.0	8.5	8	0.875	3/4-10 UNC	22.8	8.3
	6.69	240-D	0.750	0.500	0.500	11		225	10	10.0	8.5	8	0.875	—	23.6	8.5
	8.00	240-AV	0.750	0.500	0.500	11		225	26	10.0	8.5	8	0.875	3/4-10 UNC	25.0	10.8
	6.00	Q-240-HW	0.750	0.500	0.500	11		300	26	11.0	9.25	8	0.875	—	28.0	14.0

See Notes Page 4

Style 240 Single Sphere Performance Data

Table 2: Sizes • Movements • Pressures • Flange Standards • Weights

NOMINAL Pipe Size I.D.	Neutral Length	PROCO Style Number ¹	240 Movement Capability: From Neutral Position (Non-Concurrent) ²					Pressure ⁴		Standard Flange Drilling Dimensions ⁸					Weight in lbs	
			Axial Compression Inches	Axial Extension Inches	Lateral Deflection Inches	Angular Deflection Degrees	Thrust Factor ³	Positive PSIG ^{5,9}	Vacuum ⁶ Inches of Hg	Flange O.D. Inches	Bolt Circle Inches	Number of Holes	Size of Holes Inches	Bolt Hole ⁷ Thread	Exp. Joint & Flanges	Control Unit Set (2 Rod)
6 (150)	5.00	240-C	1.063	1.250	1.188	23	41.28	225	8	11.0	9.5	8	0.875	—	22.6	10.4
	5.00	240-E	0.750	0.500	0.500	9		225	26	11.0	9.5	8	0.875	—	26.0	10.4
	6.00	240-A	1.188	1.188	1.188	21		235	10	11.0	9.5	8	0.875	—	24.0	10.4
	6.00	240-AV	0.750	0.500	0.500	9		225	26	11.0	9.5	8	0.875	3/4-10 UNC	26.8	10.4
	7.09	240-D	0.750	0.500	0.500	9		225	26	11.0	9.5	8	0.875	—	29.0	10.6
	8.00	240-AV	0.750	0.500	0.500	9		225	26	11.0	9.5	8	0.875	3/4-10 UNC	29.1	10.8
	6.00	Q-240-HW	0.750	0.500	0.500	9		300	26	12.5	10.62	12	0.875	—	39.0	10.4
8 (200)	5.00	240-C	1.063	1.188	1.188	17	63.62	235	8	13.5	11.75	8	0.875	—	35.5	13.4
	5.00	240-E	0.750	0.500	0.500	7		225	26	13.5	11.75	8	0.875	—	40.0	13.4
	6.00	240-A	1.188	1.188	1.188	16		235	8	13.5	11.75	8	0.875	—	38.5	13.4
	6.00	240-AV	0.750	0.500	0.500	7		225	26	13.5	11.75	8	0.875	3/4-10 UNC	40.6	13.4
	8.07	240-D	1.000	0.563	0.875	8		225	26	13.5	11.75	8	0.875	—	41.3	14.0
	6.00	Q-240-HW	0.750	0.500	0.500	7		300	26	15.0	13.00	12	1.000	—	70.0	13.4
	5.00	240-C	1.063	1.188	1.188	14		103.87	235	6	16.0	14.25	12	1.000	—	49.3
5.00	240-E	1.000	0.625	0.750	7	225	26		16.0	14.25	12	1.000	—	56.0	21.0	
8.00	240-A	1.188	1.188	1.188	13	145	6		16.0	14.25	12	1.000	—	53.6	21.3	
8.00	240-AV	1.000	0.625	0.750	7	225	26		16.0	14.25	12	1.000	7/8-9 UNC	56.6	21.3	
9.00	240-AV	1.000	0.625	0.750	7	225	26		16.0	14.25	12	1.000	7/8-9 UNC	57.0	22.0	
9.45	240-D	1.000	0.625	0.750	7	225	26		16.0	14.25	12	1.000	—	58.5	22.0	
10.00	240-AV	1.000	0.625	0.875	7	225	26		16.0	14.25	12	1.000	7/8-9 UNC	60.5	26.5	
8.00	Q-240-HW	1.000	0.625	0.750	7	275	26	17.5	15.25	16	1.125	—	56.0	22.0		
12 (300)	5.00	240-C	1.063	1.250	1.188	12	137.89	235	6	19.0	17.0	12	1.000	—	73.4	26.5
	5.00	240-E	1.000	0.625	0.750	6		225	26	19.0	17.0	12	1.000	—	74.0	26.5
	8.00	240-A	1.188	1.188	1.188	11		145	6	19.0	17.0	12	1.000	—	80.0	27.0
	8.00	240-AV	1.000	0.625	0.750	6		225	26	19.0	17.0	12	1.000	7/8-9 UNC	83.0	27.0
	9.00	240-AV	1.000	0.625	0.750	6		225	26	19.0	17.0	12	1.000	7/8-9 UNC	88.0	27.0
	10.24	240-D	1.000	0.625	0.875	6		225	26	19.0	17.0	12	1.000	—	89.0	28.0
	8.00	Q-240-HW	1.000	0.625	0.750	6		275	26	20.5	17.75	16	1.250	—	100.0	27.0
14 (350)	8.00	240-C	1.000	1.063	1.188	8	182.65	232	6	21.0	18.75	12	1.125	—	112.0	28.0
	8.00	240-AV	1.000	0.625	0.750	6		150	26	21.0	18.75	12	1.125	—	115.0	28.0
16 (400)	8.00	240-C	1.000	1.063	1.188	8	240.53	232	6	23.5	21.25	16	1.125	—	136.0	26.8
	8.00	240-HW	1.000	0.625	0.750	4		175	26				1.125	—	186.0	26.8
	8.00	240-AV	1.000	0.625	0.750	4		125	26				1.125	—	165.0	26.8
	9.00	240-M	1.000	0.625	0.750	4		125	26				1.125	—	168.0	27.0
	10.43	240-D	1.000	0.625	0.875	4		125	26				1.125	—	170.0	27.0
18 (450)	8.00	240-HW	1.000	0.625	0.750	4	298.65	175	26	25.0	22.75	16	1.250	—	209.0	31.4
	8.00	240-AV	1.000	0.625	0.750			125	26				1.250	—	168.0	31.4
	9.00	240-M	1.000	0.625	0.750			125	26				1.250	—	169.0	33.1
	10.43	240-D	1.000	0.625	0.875			125	26				1.250	—	170.0	33.1
20 (500)	8.00	240-C	1.000	1.063	1.188	6	363.05	145	6	27.5	25.00	20	1.250	—	154.0	32.4
	8.00	240-HW	1.000	0.625	0.750	3		175	26				1.250	—	234.0	32.4
	8.00	240-AV	1.000	0.625	0.750	3		125	26				1.250	—	170.0	32.4
	9.00	240-M	1.000	0.625	0.750	3		125	26				1.250	—	173.0	34.1
	10.43	240-D	1.000	0.625	0.875	3		125	26				1.250	—	175.0	34.1
24 (600)	8.00	240-C	1.000	1.063	1.188	5	510.70	145	6	32.5	29.5	20	1.375	—	214.0	44.0
	10.00	240-AV	1.000	0.625	0.750	3		110	26				1.375	—	255.0	45.5
	10.00	240-HW	1.000	0.625	0.750	3		160	26				1.375	—	297.0	45.5
	10.47	240-D	1.000	0.625	0.875	3		110	26				1.375	—	265.0	46.0
30 (750)	10.00	240-AV	1.000	0.625	0.750	2	779.31	110	26	38.75	36.0	28	1.375	—	295.0	57.0

See Notes Page 4

NOTES:

Standard Proco Style 240-AV Expansion Joints shown in Bold Type are considered Standards and are inventoried in large quantities.

1. "HW" denotes Heavy Weight Construction. For sizes 2" I.D. thru 12" I.D., Proco will only offer these items with 300 lb. drilling and are denoted by Q-240-HW. All Q-240-HW units will only be sold with control units.
2. **Concurrent Movements** - Concurrent movements are developed when two or more movements in a pipe system occur at the same time. If multiple movements exceed single arch design there may be a need for an additional arch. To perform calculation for concurrent movement when a pipe system design has more than one movement, please use the following formula:
$$\frac{\text{Actual Axial Compression} + \text{Actual Axial Extension} + \text{Actual Lateral (X)} + \text{Actual Lateral (Y)}}{\text{Rated Axial Compression} + \text{Rated Axial Extension} + \text{Rated Lateral (X)} + \text{Rated Lateral (Y)}} = / < 1$$
Calculation must be equal to or less than 1 for expansion joint to operate within concurrent movement capability.
3. **Calculation of Thrust (Thrust Factor)**. When expansion joints are installed in the pipeline, the static portion of the thrust is calculated as a product of the area of the I.D. of the arch of the expansion joint times the maximum pressure (design, test or surge) that will occur in the line. The result is a force expressed in pounds. **Take design, surge or test pressure X thrust factor to calculate end thrust.**
4. Pressure rating is based on 170°F operating temperature. The pressure rating is reduced at higher temperatures.
5. Pressures shown at maximum "operating pressure". Test pressure is 1.5 times "operating pressure". Burst pressure is 4 times "operating pressure". If factory hydro-test is required, an additional joint per size must be purchased and tested. Once hydro-tested this joint may not be sent to field for installation as the beaded end will have taken a (compressed) set and can not be reused.
6. Vacuum rating is based on neutral installed length, without external load. Products should not be installed in extension for vacuum applications. Flattening of the arch in extended mode will cause the arch to collapse.
7. Style 240AV/NN and 240-D/NN (neoprene elastomer only) expansion joints 1.0" I.D. thru 12" I.D. are available with tapped (threaded) holes and must be specified at time of order.
8. In addition to standard 150 lb. drilled flanges, Proco can provide expansion joints listed above in 300 lb. drilling, BS-10 (British) drilling, Metric PN10 and PN16 drilling and JIS 10kg/cm drilling.
9. For PTFE lined single sphere see www.procoproducts.com/pflined.html

"Effective Area"

Thrust Factor=

$$T = \frac{\pi}{4} (D)^2 (P)$$

T= Thrust
P= PSI (Design, Test or Surge)
D= Arch I.D.



Style 240 Drilling Chart

Table 3: Flange Drilling

NOMINAL Pipe Size Inch (mm)	American 125/150# Conforms to ANSI B16.1 and B16.5						American 250/300# Conforms to ANSI B16.1 and B16.5					British Standard 10:1962 Conforms to BS 10 Table E				
	Flange Thickness	Flange O.D.	Bolt Circle	No. of Holes	Drilled Hole Size	Threaded Hole Size	Flange Thickness	Flange O.D.	Bolt Circle	No. of Holes	Hole Size	Flange Thickness	Flange O.D.	Bolt Circle	No. of Holes	Hole Size
1 (25)	0.55 (14.0)	4.25 (108.0)	3.13 (79.4)	4	0.62 (15.9)	1/2 - 13 UNC	0.63 (16.0)	4.88 (124.0)	3.5 (88.9)	4	0.75 (19.1)	0.59 (15.0)	4.5 (114.0)	3.25 (82.6)	4	0.62 (15.9)
1.25 (32)	0.55 (14.0)	4.63 (118.0)	3.5 (88.9)	4	0.62 (15.9)	1/2 - 13 UNC	0.63 (16.0)	5.25 (133.0)	3.88 (98.4)	4	0.75 (19.1)	0.59 (15.0)	4.75 (121.0)	3.44 (87.3)	4	0.62 (15.9)
1.5 (40)	0.55 (14.0)	5.0 (127.0)	3.88 (98.4)	4	0.62 (15.9)	1/2 - 13 UNC	0.63 (16.0)	6.12 (156.0)	4.50 (114.3)	4	0.88 (22.2)	0.59 (15.0)	5.25 (133.0)	3.88 (98.4)	4	0.62 (15.9)
2 (50)	0.63 (16.0)	6.0 (152.0)	4.75 (120.7)	4	0.75 (19.1)	5/8 - 11 UNC	0.71 (18.0)	6.50 (165.0)	5.00 (127.0)	8	0.75 (19.1)	0.63 (16.0)	6.0 (152.0)	4.5 (114.3)	4	0.75 (19.1)
2.5 (65)	0.71 (18.0)	7.0 (178.0)	5.5 (139.7)	4	0.75 (19.1)	5/8 - 11 UNC	0.71 (18.0)	7.5 (191.0)	5.88 (149.2)	8	0.88 (22.2)	0.71 (18.0)	6.5 (165.0)	5.0 (127.0)	4	0.75 (19.1)
3 (80)	0.71 (18.0)	7.5 (191.0)	6.0 (152.4)	4	0.75 (19.1)	5/8 - 11 UNC	0.79 (20.0)	8.25 (210.0)	6.62 (168.2)	8	0.88 (22.2)	0.71 (18.0)	7.25 (184.0)	5.75 (146.1)	4	0.75 (19.1)
3.5 (90)	0.71 (18.0)	8.5 (216.0)	7.0 (177.8)	8	0.75 (19.1)	5/8 - 11 UNC	0.79 (20.0)	9.0 (229.0)	7.25 (184.2)	8	0.88 (22.2)	0.71 (18.0)	8.0 (203.0)	6.5 (165.1)	8	0.75 (19.1)
4 (100)	0.71 (18.0)	9.0 (229.0)	7.5 (190.5)	8	0.75 (19.1)	5/8 - 11 UNC	0.79 (20.0)	10.0 (254.0)	7.88 (200.0)	8	0.88 (22.2)	0.71 (18.0)	8.5 (216.0)	7.0 (177.8)	8	0.75 (19.1)
5 (125)	0.79 (20.0)	10.0 (254.0)	8.5 (215.9)	8	0.88 (22.2)	3/4 - 10 UNC	0.87 (22.0)	11.0 (279.0)	9.25 (235.0)	8	0.88 (22.2)	0.79 (20.0)	10.0 (254.0)	8.25 (209.6)	8	0.75 (19.1)
6 (150)	0.87 (22.0)	11.0 (279.0)	9.5 (241.3)	8	0.88 (22.2)	3/4 - 10 UNC	0.87 (22.2)	12.5 (318.0)	10.62 (269.9)	12	0.88 (22.2)	0.87 (22.2)	11.0 (279.0)	9.25 (235.0)	8	0.88 (22.2)
8 (200)	0.87 (22.0)	13.5 (343.0)	11.75 (298.5)	8	0.88 (22.2)	3/4 - 10 UNC	0.95 (24.0)	15.0 (381.0)	13.0 (330.2)	12	1.00 (25.4)	0.87 (22.2)	3.25 (82.6)	11.5 (292.1)	8	0.88 (22.2)
10 (250)	0.95 (24.0)	16.0 (406.0)	14.25 (362.0)	12	1.00 (25.4)	7/8 - 9 UNC	1.02 (26.0)	17.5 (445.0)	15.25 (387.4)	16	1.13 (28.6)	0.95 (24.0)	116.0 (406.0)	14.0 (355.6)	12	0.88 (22.2)
12 (300)	0.95 (24.0)	19.0 (483.0)	17.0 (431.8)	12	1.00 (25.4)	7/8 - 9 UNC	1.02 (26.0)	20.5 (521.0)	17.75 (450.9)	16	1.25 (31.8)	0.95 (24.0)	18.0 (457.0)	16.0 (406.4)	12	1.00 (25.4)
14 (350)	1.02 (26.0)	21.0 (533.0)	18.75 (476.3)	12	1.13 (28.6)	1 - 8 UNC	1.10 (28.0)	23.0 (584.0)	20.25 (514.4)	20	1.25 (31.8)	1.02 (26.0)	20.75 (527.0)	18.5 (469.9)	12	1.00 (25.4)
16 (400)	1.10 (28.0)	23.5 (597.0)	21.25 (539.8)	16	1.13 (28.6)	1 - 8 UNC	1.18 (30.0)	25.5 (648.0)	22.5 (571.5)	20	1.38 (34.9)	1.10 (28.0)	22.75 (578.0)	20.5 (520.7)	12	1.00 (25.4)
18 (450)	1.18 (30.0)	25.0 (635.0)	22.75 (577.9)	16	1.25 (31.8)	1 1/8 - 7 UNC	1.18 (30.0)	28.0 (711.0)	24.75 (628.7)	24	1.38 (34.9)	1.18 (30.0)	25.25 (641.0)	23.0 (584.2)	16	1.00 (25.4)
20 (500)	1.18 (30.0)	27.5 (699.0)	25.0 (635.0)	20	1.25 (31.8)	1 1/8 - 7 UNC	1.18 (30.0)	30.5 (775.0)	27.0 (685.8)	24	1.38 (34.9)	1.18 (30.0)	27.75 (705.0)	25.25 (641.4)	16	1.00 (25.4)
24 (600)	1.18 (30.0)	32.06 (813.0)	29.5 (749.3)	20	1.38 (34.9)	1 1/4 - 7 UNC	1.18 (30.0)	36.0 (914.0)	32.0 (812.8)	24	1.62 (41.3)	1.18 (30.0)	32.5 (826.0)	29.75 (755.7)	16	1.25 (31.8)
30 (750)	1.26 (32.0)	38.75 (984.0)	36.0 (914.4)	28	1.38 (34.9)	1 1/4 - 7 UNC	1.26 (32.0)	43.0 (1092.0)	39.25 (997.0)	28	2.00 (50.8)	1.26 (32.0)	39.25 (997.0)	36.5 (927.1)	20	1.38 (34.9)

Style 240 Drilling Chart continued...

Table 3: Flange Drilling

NOMINAL Pipe Size Inch (mm)	Metric Series Conforms to I.S.O. 2084-1974 Table PN10 Holes to I.S.O. /R-273					Metric Series Conforms to I.S.O. 2084-1974 Table PN16 Holes to I.S.O. /R-273					J.I.S. Standard B-2212 Conforms to J.I.S. 10Kg/cm				
	Flange Thickness	Flange O.D.	Bolt Circle	No. of Holes	Hole Size	Flange Thickness	Flange O.D.	Bolt Circle	No. of Holes	Hole Size	Flange Thickness	Flange O.D.	Bolt Circle	No. of Holes	Hole Size
	1 (25)	0.63 (16.0)	4.53 (115.0)	3.35 (85.0)	4	0.55 (14.0)	0.63 (16.0)	4.53 (115.0)	3.35 (85.0)	4	0.55 (14.0)	0.59 (15.0)	4.92 (125.0)	3.54 (90.0)	4
1.25 (32)	0.63 (16.0)	5.51 (140.0)	3.94 (85.0)	4	0.71 (18.0)	0.63 (16.0)	5.51 (140.0)	3.94 (100.0)	4	0.71 (18.0)	0.59 (15.0)	5.31 (135.0)	3.94 (100.0)	4	0.75 (19.0)
1.5 (40)	0.63 (16.0)	5.91 (150.0)	4.33 (110.0)	4	0.71 (18.0)	0.63 (16.0)	5.91 (150.0)	4.33 (110.0)	4	0.71 (18.0)	0.59 (15.0)	5.51 (140.0)	4.13 (105.0)	4	0.75 (19.0)
2 (50)	0.71 (18.0)	6.50 (165.0)	4.92 (125.0)	4	0.71 (18.0)	0.71 (18.0)	6.50 (165.0)	4.92 (125.0)	4	0.71 (18.0)	0.63 (16.0)	6.10 (155.0)	4.72 (120.0)	4	0.75 (19.0)
2.5 (65)	0.71 (18.0)	7.28 (185.0)	5.71 (145.0)	4	0.71 (18.0)	0.71 (18.0)	7.28 (185.0)	5.71 (145.0)	4	0.71 (18.0)	0.71 (18.0)	6.89 (175.0)	5.51 (140.0)	4	0.75 (19.0)
3 (80)	0.79 (20.0)	7.87 (200.0)	6.3 (160.0)	8	0.71 (18.0)	0.79 (20.0)	7.87 (200.0)	6.30 (160.0)	8	0.71 (18.0)	0.71 (18.0)	7.28 (185.0)	5.91 (150.0)	8	0.75 (19.0)
3.5 (90)	— —	— —	— —	— —	— —	— —	— —	— —	— —	— —	0.71 (18.0)	7.68 (195.0)	6.30 (160.0)	8	0.75 (19.0)
4 (100)	0.79 (20.0)	8.66 (220.0)	7.09 (180.0)	8	0.71 (18.0)	0.79 (20.0)	8.66 (220.0)	7.09 (180.0)	8	0.71 (18.0)	0.71 (18.0)	8.27 (210.0)	6.89 (175.0)	8	0.75 (19.0)
5 (125)	0.87 (22.0)	9.84 (250.0)	8.27 (210.0)	8	0.71 (18.0)	0.87 (22.0)	9.84 (250.0)	8.27 (210.0)	8	0.71 (18.0)	0.79 (20.0)	9.84 (250.0)	8.27 (210.0)	8	0.91 (23.0)
6 (150)	0.87 (22.0)	11.22 (285.0)	9.45 (240.0)	8	0.87 (22.0)	0.87 (22.0)	11.22 (285.0)	9.45 (240.0)	8	0.87 (22.0)	0.87 (22.0)	11.02 (280.0)	9.45 (240.0)	8	0.91 (23.0)
8 (200)	0.87 (22.0)	13.39 (340.0)	11.61 (295.0)	8	0.87 (22.0)	0.87 (22.0)	13.39 (340.0)	11.61 (295.0)	12	0.87 (22.0)	0.87 (22.0)	12.99 (330.0)	11.42 (290.0)	12	0.91 (23.0)
10 (250)	1.02 (26.0)	15.55 (395.0)	13.78 (350.0)	12	0.87 (22.0)	1.02 (26.0)	15.94 (405.0)	13.98 (355.0)	12	1.02 (26.0)	0.95 (24.0)	15.75 (400.0)	13.98 (355.0)	12	0.98 (25.0)
12 (300)	1.02 (26.0)	17.52 (445.0)	15.75 (400.0)	12	0.87 (22.0)	1.02 (26.0)	18.11 (460.0)	16.14 (410.0)	12	1.02 (26.0)	0.95 (24.0)	17.52 (445.0)	15.75 (400.0)	16	0.98 (25.0)
14 (350)	1.10 (28.0)	19.88 (505.0)	18.11 (460.0)	16	0.87 (22.0)	1.10 (28.0)	20.47 (520.0)	18.50 (470.0)	16	1.02 (26.0)	1.02 (26.0)	19.29 (490.0)	17.52 (445.0)	16	0.98 (25.0)
16 (400)	1.18 (30.0)	22.24 (565.0)	20.28 (515.0)	16	1.02 (26.0)	1.18 (30.0)	22.83 (580.0)	20.67 (525.0)	16	1.18 (30.0)	1.10 (28.0)	22.05 (560.0)	20.08 (510.0)	16	1.06 (27.0)
18 (450)	1.18 (30.0)	24.21 (615.0)	22.24 (565.0)	20	1.02 (26.0)	1.18 (30.0)	25.20 (640.0)	23.03 (585.0)	20	1.18 (30.0)	1.18 (30.0)	24.41 (620.0)	22.24 (565.0)	20	1.06 (27.0)
20 (500)	1.18 (30.0)	26.38 (670.0)	24.41 (620.0)	20	1.02 (26.0)	1.18 (30.0)	28.15 (715.0)	25.59 (650.0)	20	1.30 (33.0)	1.18 (30.0)	26.57 (675.0)	24.41 (620.0)	20	1.06 (27.0)
24 (600)	1.18 (30.0)	30.71 (780.0)	28.54 (725.0)	20	1.18 (30.0)	1.18 (30.0)	33.07 (840.0)	30.31 (770.0)	20	1.42 (36.0)	1.18 (30.0)	31.30 (795.0)	28.74 (730.0)	24	1.30 (33.0)
30 (750)	1.26 (32.0)	37.99 (965.0)	35.43 (900.0)	24	1.30 (33.0)	1.26 (32.0)	38.19 (970.0)	35.43 (900.0)	24	1.42 (36.0)	1.26 (32.0)	38.19 (970.0)	35.07 (900.0)	24	1.30 (33.0)

Drilling Chart for Bolting Requirements

Table 4:	Standard Drilling for PROCO Rubber Expansion Joints					Thickness of Materials for PROCO Rubber Expansion Joints			Control Unit Plate Detail	
	Flange Dimensions ²					Material Thickness ¹ for Bolt Length Requirements				
	Nominal Pipe Size Expansion Joint I.D. Inch / (mm)	Flange O.D. Inch / (mm)	Bolt Circle Inch / (mm)	Number Of Holes	Size Of Holes Inch / (mm)	Bolt Hole Thread	Nominal Flange/ Beaded End Thickness Inch / (mm) (Approx. Value)	Adjacent Mating ³ Flange Thickness	Max. Control ⁴ Rod Plate Thickness Inch / (mm)	Control Rod ⁶ Plate O.D. Inch / (mm)
1 (25)	4.25 (108.0)	3.13 (79.50)	4	0.625 (15.87)	1/2-13 UNC	1.25 (31.75)	C U S T O M E R T O S P E C I F Y M A T I N G F L A N G E T H I C K N E S	0.375 (9.53)	8.375 (215.9)	0.625 (15.9)
1.25 (32)	4.63 (118.0)	3.5 (88.90)	4	0.625 (15.87)	1/2-13 UNC	1.25 (31.75)		0.375 (9.53)	8.750 (222.3)	0.625 (15.9)
1.5 (40)	5.0 (127.0)	3.88 (98.55)	4	0.625 (15.87)	1/2-13 UNC	1.25 (31.75)		0.375 (9.53)	9.125 (231.8)	0.625 (15.9)
2 (50)	6.00 (152.00)	4.75 (120.65)	4	0.750 (19.05)	5/8-11 UNC	1.25 (31.75)		0.375 (9.53)	10.125 (257.2)	0.625 (15.9)
2.5 (65)	7.00 (178.00)	5.50 (139.70)	4	0.750 (19.05)	5/8-11 UNC	1.25 (31.75)		0.375 (9.53)	11.125 (282.6)	0.625 (15.9)
3 (80)	7.50 (191.00)	6.00 (152.40)	4	0.750 (19.05)	5/8-11 UNC	1.25 (31.75)		0.375 (9.53)	11.625 (295.3)	0.625 (15.9)
3.5 (90)	8.5 (216.0)	7.0 (177.80)	8	0.750 (19.05)	5/8-11 UNC	1.25 (31.75)		0.375 (9.53)	12.625 (320.7)	0.625 (15.9)
4 (100)	9.00 (229.00)	7.50 (190.50)	8	0.750 (19.05)	5/8-11 UNC	1.25 (31.75)		0.375 (9.53)	13.125 (333.4)	0.625 (15.9)
5 (125)	10.00 (254.00)	8.50 (215.90)	8	0.875 (22.23)	3/4-10 UNC	1.50 (38.10)		0.500 (12.70)	14.125 (358.8)	0.625 (15.9)
6 (150)	11.00 (279.00)	9.50 (241.30)	8	0.875 (22.23)	3/4-10 UNC	1.50 (38.10)		0.500 (12.70)	15.125 (384.2)	0.625 (15.9)
8 (200)	13.50 (343.00)	11.75 (298.45)	8	0.875 (22.23)	3/4-10 UNC	1.50 (38.10)		0.750 (19.05)	19.125 (485.8)	1.000 (25.4)
10 (250)	16.00 (406.00)	14.25 (361.95)	12	1.000 (25.40)	7/8-9 UNC	1.50 (38.10)		0.750 (19.05)	21.625 (549.3)	1.000 (25.4)
12 (300)	19.00 (483.00)	17.00 (431.80)	12	1.000 (25.40)	7/8-9 UNC	1.50 (38.10)		0.750 (19.05)	24.625 (625.5)	1.000 (25.4)
14 (350)	21.00 (533.00)	18.75 (476.25)	12	1.125 (28.58)	—	1.75 (44.45)		0.750 (19.05)	26.625 (676.3)	1.000 (25.4)
16 (400)	23.50 (597.00)	21.25 (539.75)	16	1.125 (28.58)	—	1.75 (44.45)		0.750 (19.05)	30.125 (765.2)	1.250 (31.8)
18 (450)	25.00 (635.00)	22.75 (577.85)	16	1.250 (31.75)	—	2.00 (50.80)		0.750 (19.05)	31.625 (803.3)	1.250 (31.8)
20 (500)	27.50 (699.00)	25.00 (635.00)	20	1.250 (31.75)	—	2.00 (50.80)		0.750 (19.05)	34.125 (866.8)	1.250 (31.8)
24 (600)	32.00 (813.00)	29.50 (749.30)	20	1.375 (34.93)	—	2.00 (50.80)		1.000 (25.40)	38.625 (981.1)	1.250 (31.8)
30 (750)	38.75 (984.00)	36.00 (914.40)	28	1.375 (34.93)	—	2.00 (50.80)		1.250 (31.75)	46.375 (1177.9)	1.500 (38.1)

Metric Conversion Formula:
Nominal I.D.:
in. x 25 = mm; Dimensions/
Thickness': in. x 25.4 = mm.

- Notes:**
1. Limit/Control Rod length is determined by neutral length of rubber expansion joint, rated extension, control rod plate thickness, mating flange thickness and number of nuts. Consult PROCO for rod lengths.
 2. Flange Dimensions shown are in accordance with ANSI B16.1 and ANSI B16.5 Class 125/150, AWWA C-207-07, Tbl 2 and 3 - Class D, Table 4 - Class E. Hole size shown is 1/8" larger than AWWA Standard.
 3. Adjacent mating flange thickness is required to determine overall rod length and compression sleeve length (if required).
 4. Plate thickness is based on a maximum width PROCO would use to design a Limit/Control Rod plate.
 5. Flat Washers required at ring splits and are supplied by others.
 6. Control rod plate O.D. installed dimension is based on a maximum O.D. Proco would supply.
 7. Control rod diameter is based on a maximum diameter Proco would use to design a control rod.

Drilling Chart for Bolting Requirements continued...

- A** - Flange/Beaded End Thickness (Approximated Figure)
- B** - Adjacent Mating Flange Thickness (By Others)
- C** - Control Unit Plate Thickness
- D** - Double Nut Thickness is determined by Control Rod Diameter

- E** - Control Rod Bolt Length is determined by A through E + OAL ¹
- F** - Control Rod Control Rod Plate O.D.
- G** - Maximum Rod Diameter

Figure 1

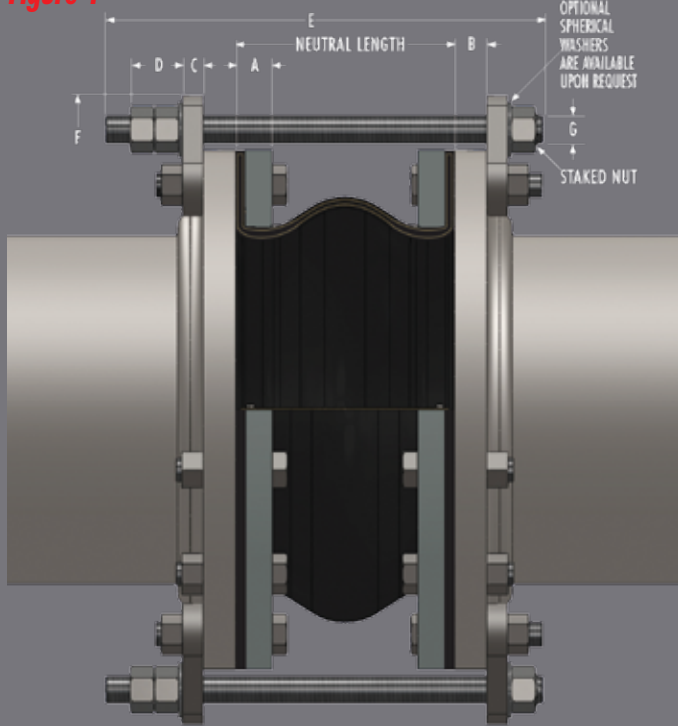


Figure 2

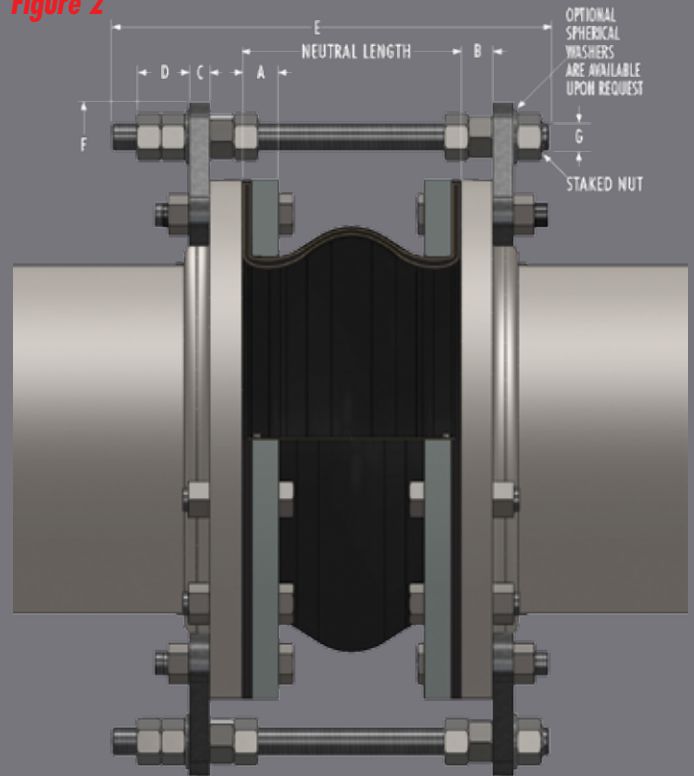
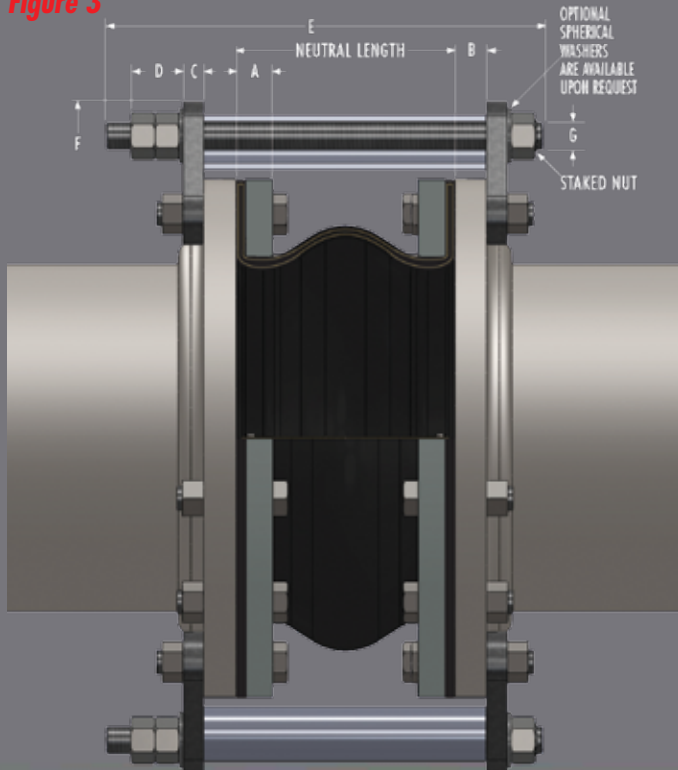


Figure 3



Limit Rods

Use of Control Units with Rubber Expansion Joints

Definition

A control unit assembly is a system of two or more control rod units (limit rods, tie rods or compression sleeves) placed across an expansion joint from flange to flange to minimize possible damage caused by excessive motion of a pipeline. The control unit assemblies can be set at the maximum allowable expansion and/or contraction of the rubber expansion joint. When used in this manner, control units are an additional safety factor and can minimize possible damage to adjacent equipment.

Rubber expansion joints should be installed between two fixed anchor points in a piping system. The pipe system must be rigidly anchored on both sides of the expansion joint to control expansion or contraction of the line. Piping anchors must be capable of withstanding the line thrusts generated by internal pressure or wide temperature fluctuations.

When proper anchoring cannot be provided, **CONTROL UNITS ARE REQUIRED.** For un-anchored piping systems nuts shall be tightened snug against rod plate to prevent over-extension due to pressure thrust created by expansion joint. Refer to "Thrust Factor" in Table 2, note 5 in this manual. Please also see Table 7 for number of control rods recommended based on maximum surge for test pressure of the system

Listed below are three (3) control unit configurations supplied by PROCO and are commonly used with rubber expansion joints in piping systems.

Figure 1

Known as a **LIMIT ROD**, this control unit configuration will allow an expansion joint to extend to a predetermined extension setting. Nuts shall be field-set to no more than the maximum allowable extension movement of a rubber expansion joint (unless used in an un-anchored system). Refer to Table 2 in this manual for allowable movement capabilities. Spherical washers can also be furnished (upon request) to combat any "nut-to-plate" binding during offset. **Consult the systems engineer for proper nut settings prior to system operation.**

Figure 2

Known as a **LIMIT/CONTROL ROD**, this control unit configuration is used to allow specified pipe expansion (expansion joint axial compression) and pipe contraction (expansion joint axial extension) movements. Nuts shall be field set to no more than the maximum allowable extension (unless used in an un-anchored pipe system) or compression of a rubber expansion joint. Refer to Table 2 in this manual for allowable movement capabilities. Internal and external nuts can also be field-set to allow for no movement in the horizontal plane. This setting will allow the rubber to move laterally while keeping expansion joint thrust forces low on adjacent equipment. Spherical washers can also be furnished (upon request) to combat any potential "nut-to-plate" binding during offset. **Limit/Control rods with internal nuts must be specified at the time of inquiry. Consult the systems engineer for proper nut settings prior to system operation.**

Figure 3

Known as a **COMPRESSION SLEEVE**, this configuration is used to allow for specified pipe expansion (expansion joint axial compression) and pipe contraction (expansion joint extension) movements. Nuts shall be field-set to no more than the maximum allowable extension (unless used in an un-anchored pipe system) of a rubber expansion joint. Refer to Table 2 in this manual for allowable movement capabilities. PROCO will manufacture each compression sleeve to allow for no axial movement unless otherwise specified by the purchaser. Compression sleeves shall be field-trimmed to meet required allowable axial movement as set forth by system requirements. Spherical washers can also be furnished (upon request) to combat any potential "nut-to-plate" binding during offset. **Consult the systems engineer for proper sleeve lengths prior to system operation.**

Important Control Unit Considerations

The number of rods, control rod diameters and control rod plate thicknesses are important considerations when specifying control units for an application. As a minimum, specifying engineers or purchasers shall follow the guidelines as set forth in Appendix C of the Fluid Sealing Association's Technical Handbook, Seventh Edition. PROCO engineers its control unit assemblies to system requirements. Our designs incorporate an allowable stress of 65% of material yield for each rod and plate (rod and plate material to be specified by purchaser). Therefore, it is important to provide pressure and temperature ratings to PROCO when requesting control units for rubber expansion joints. It is also important to provide adjacent mating flange thickness or mating specifications to ensure correct rod lengths are provided.

Installation Instructions for Limit Rods

1. Assemble expansion joint between pipe flanges in its manufactured face-to-face length.
2. Assemble control rod plates behind pipe flanges as shown. Flange bolts or all-thread studs through the control rod plate must be longer to accommodate the plate thickness. Control rod plates should be equally spaced around the flange. Depending upon the size and pressure rating of the system, 2, 3, 4, or more control/limit rods may be required. Refer to Table 4 in this manual or to the Fluid Sealing Association's Technical Handbook, Seventh Edition, for control rod pressure ratings.
3. Insert control/limit rods through top plate holes. Steel flat washers are to be positioned at outer plate surface.
4. If a single nut per unit is furnished, position this nut so that there is a gap between the nut and the steel flat washer. This gap is equal to the joint's maximum extension (commencing with the nominal face-to-face length). To lock this nut in position, either "stake" the thread in two places or tack weld the nut to the rod. If two nuts are supplied, the nuts will create a "jamming" effect to prevent loosening. (Nuts should be snug against the flat washer and control rod plate when piping system is un-anchored.)

Note: Consult the manufacturer if there are any questions as to the rated compression and elongation. These two dimensions are critical in setting the nuts and sizing the compression pipe sleeve (if supplied).

5. If there is a requirement for compression pipe sleeves, an ordinary pipe may be used, sized in length to allow the joint to be compressed to its normal limit.
6. If there is a requirement for optional spherical washers, these washers are to be positioned at the inner and/or outer plate surface and backed up by movable double nuts.

Limit Rods continued...

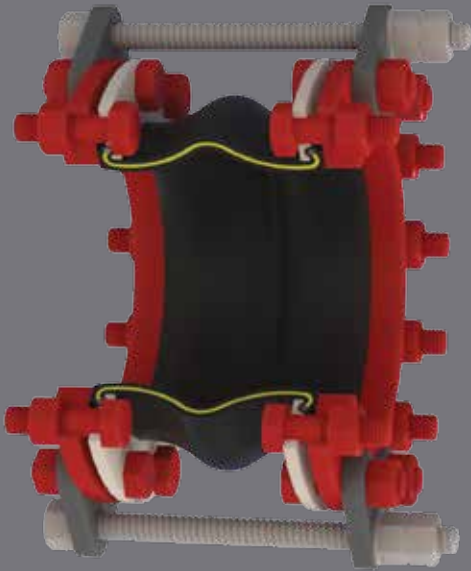


Figure 1

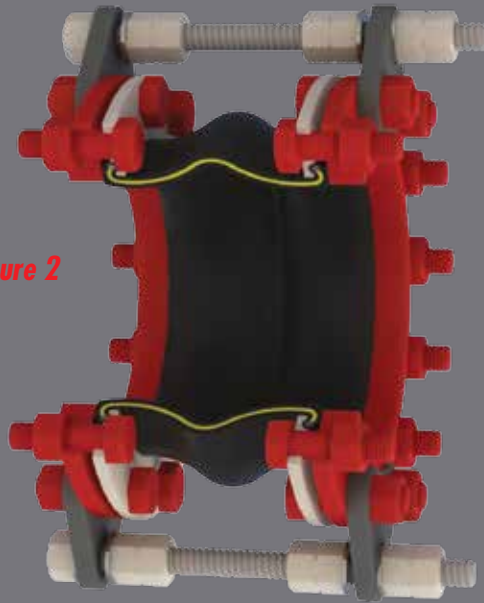


Figure 2

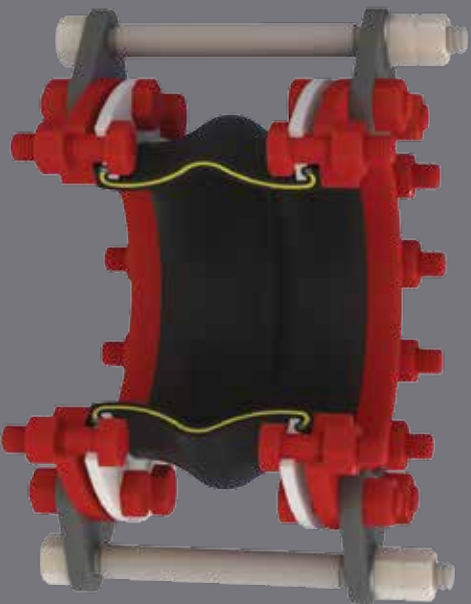


Figure 3

Table 5:
Control Units/Unanchored

Control Units must be installed when pressures (test • design • surge • operating) exceed rating below:

Pipe Size	Series 240 P.S.I.G.
1" thru 4"	180
5" thru 10"	135
12" thru 14"	90
16" thru 24"	45
30"	35

Table 6:
Maximum Surge or Test Pressure of the System

Nominal Pipe Size	Expansion Joint I.D. Inch / (mm)	Number of Control Rods Recommended			
		2	4	6	8
1	(25)	949	•	•	•
1.25	(32)	830	•	•	•
1.5	(40)	510	•	•	•
2	(50)	661	•	•	•
2.5	(65)	529	•	•	•
3	(75)	441	•	•	•
4	(100)	311	622	•	•
5	(125)	235	470	•	•
6	(150)	186	371	•	•
8	(200)	163	326	•	•
10	(250)	163	325	488	•
12	(300)	160	320	481	•
14	(350)	112	223	335	•
16	(400)	113	227	340	453
18	(450)	94	187	281	375
20	(500)	79	158	236	315
24	(600)	74	147	221	294
30	(750)	70	141	211	281

Note:

Pressures listed above do not relate to the actual design pressure of the expansion joint products, but are the maximum surge or pressure for a specific control rod nominal pipe size.

Installation Instructions for Non-Metallic Expansion

1. Service Conditions:

Make sure the expansion joint rating for temperature, pressure, vacuum*, movements and selection of elastomeric materials match the system requirements. Contact the manufacturer if the system requirements exceed those of the expansion joint selected. (*Vacuum service for spherical rubber connectors: Vacuum rating is based on neutral installed length. These products should not be installed "extended" on vacuum applications.)

2. Alignment:

Expansion joints are not designed to make up for piping misalignment errors. Piping misalignment should be no more than 1/8" in any direction. Misalignment of an expansion joint will reduce the rated movements and can induce severe stress of the material properties, thus causing reduced service life or premature failure.

3. Anchoring:

Expansion joints should be located as close as possible to anchor points with proper pipe guides. Install expansion joints only on straight runs between anchors. It is recommended that control rods be installed on the expansion joint to prevent excessive movements from occurring due to pressure thrust of the line.

4. Pipe Support:

Piping must be supported so expansion joints do not carry any pipe weight.

5. Mating Flanges:

Install the expansion joint against the mating pipe flanges and install bolts so that the bolt head is against the expansion joint flange. Flange-to-flange dimension of the expansion joint must match the breech opening*. (*A spherical rubber connector must be pre-compressed 1/8" to 3/16" during installation in order to obtain a correct installed face-to-face dimension.)

Make sure the mating flanges are clean and are a flat-faced type. When attaching beaded end flange expansion joints to raised face flanges, the use of composite gaskets are required to prevent metal flange faces from cutting rubber bead during installation.

Never install expansion joints next to wafer type check or butterfly valves.

6. Bolting Torque:

Table 8 shows the recommended torque values for non-metallic expansion joints with beaded end type-flanges: Tighten bolts in stages by alternating around the flange. Use the recommended torque values in Table 8 to achieve a good seal. Never tighten an expansion joint to the point that there is metal-to-metal contact between the expansion joint flanges and the mating flanges. A slight bulge in the rubber beaded end should create a flush tight seal.

Note: Torque values are approximate due to mating flange surfaces, installation offsets, operating pressures and environmental conditions.

7. Storage:

Ideal storage is in a warehouse with a relatively dry, cool location. Store flanges face down on a pallet or wooden platform. Do not store other heavy items on top of the expansion joints. Ten year shelf life can be expected with ideal conditions. If storage must be outdoors, place on a wooden platform and joints should not be in contact with the ground. Cover with a tarpaulin.

8. Large Joint Handling:

Do not lift with ropes or bars through the bolt holes. If lifting through the bore, use padding or a saddle to distribute the weight. Make sure cables or forklift tines do not contact the rubber. Do not let expansion joints sit vertically on the edges of the flanges for any period of time.

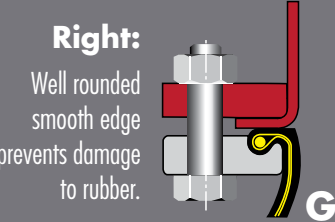
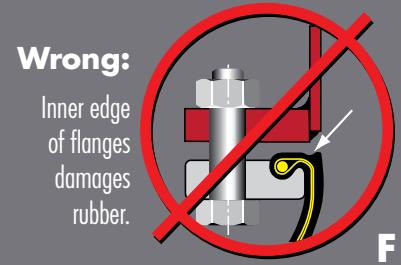
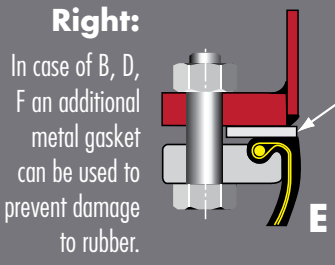
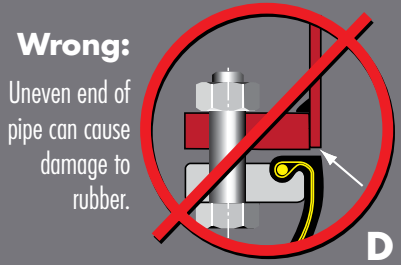
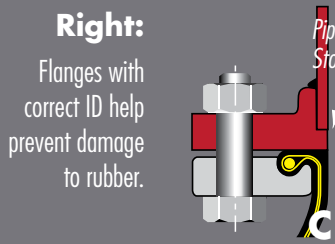
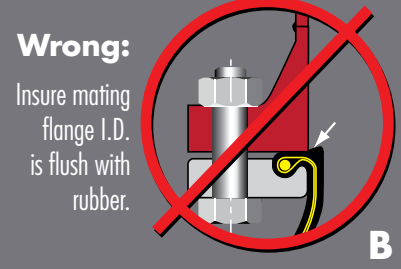
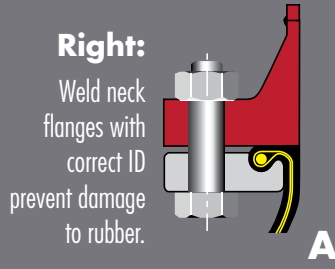
9. Additional Tips:

- A. Do not insulate/cover over a rubber expansion joint. This prevents inspection of the tightness of the joint bolting.
- B. It is acceptable (but not necessary) to lubricate the expansion joint beaded end with a thin film of graphite dispersed in glycerin or water at time of installation to prevent damage.
- C. Do not weld in the near vicinity of a non-metallic joint.
- D. If expansion joints are to be installed underground, or will be submerged in water, contact manufacturer for specific recommendations.
- E. If the expansion joint will be installed outdoors, make sure the cover material will withstand ozone, sunlight, etc.
- F. Check the tightness of flanges two or three weeks after installation and retighten if necessary. Refer to Notes in Para 6. Bolting Torque.
- G. Expansion joint installation should be conducted by an authorized and qualified pipe fitter.
- H. While all Proco expansion joints are guaranteed for a period of one year and designed for many years of service, it is suggested that expansion joints be routinely inspected based on service conditions.

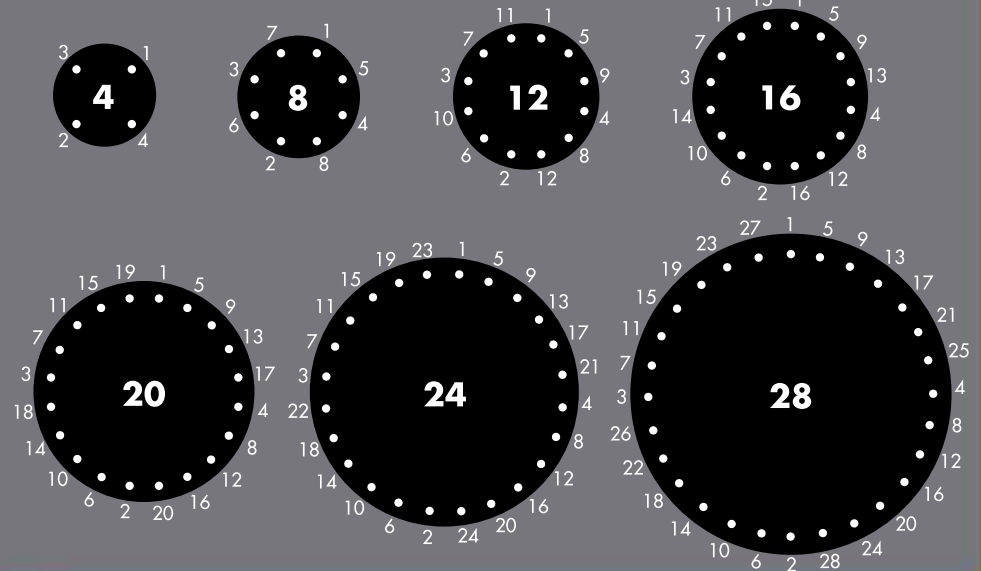
Warning: Expansion joints may operate in pipelines or equipment carrying fluids and/or gasses at elevated temperature and pressures and may transport hazardous materials. Precautions should be taken to protect personnel in the event of leakage or splash. Rubber joints should not be installed in areas where inspection is impossible. Make sure proper drainage is available in the event of leakage when operating personnel are not available.

Joints with Beaded End Flanges

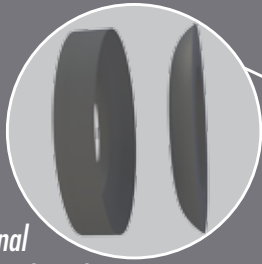
Nominal Pipe Size Expansion Joint I.D. Inch / (mm)	Bolt-Torque				
	Step 1 FT-LBS (Nm)	Rest	Step 2 FT-LBS (Nm)	Rest	Step 3 FT-LBS (Nm)
1 (25)	18 (25)	30 Min	30 (40)	60 Min	45-60 (60-80)
1.25 (32)	18 (25)	30 Min	30 (40)	60 Min	45-60 (60-80)
1.5 (40)	18 (25)	30 Min	30 (40)	60 Min	45-60 (60-80)
2 (50)	18 (25)	30 Min	30 (40)	60 Min	45-60 (60-80)
2.5 (65)	18 (25)	30 Min	35 (50)	60 Min	50-60 (70-80)
3 (80)	25 (35)	30 Min	45 (60)	60 Min	60-75 (80-100)
3.5 (90)	25 (35)	30 Min	45 (60)	60 Min	60-75 (80-100)
4 (100)	25 (35)	30 Min	45 (60)	60 Min	60-75 (80-100)
5 (125)	25 (35)	30 Min	45 (60)	60 Min	60-75 (80-100)
6 (150)	30 (40)	30 Min	50 (70)	60 Min	60-75 (80-100)
8 (200)	30 (40)	30 Min	50 (70)	60 Min	60-75 (80-100)
10 (250)	30 (40)	30 Min	50 (70)	60 Min	75-85 (100-115)
12 (300)	30 (40)	30 Min	50 (70)	60 Min	75-85 (100-115)
14 (350)	30 (40)	30 Min	60 (80)	60 Min	75-95 (110-130)
16 (400)	30 (40)	30 Min	60 (80)	60 Min	75-95 (110-130)
18 (450)	30 (40)	30 Min	60 (80)	60 Min	90-95 (120-130)
20 (500)	30 (40)	30 Min	65 (90)	60 Min	95-185 (130-250)
24 (600)	30 (40)	30 Min	65 (90)	60 Min	95-185 (130-250)
30 (750)	30 (40)	30 Min	65 (90)	60 Min	95-220 (130-300)



Tighten opposing nuts/bolts gradually according to the following sequence

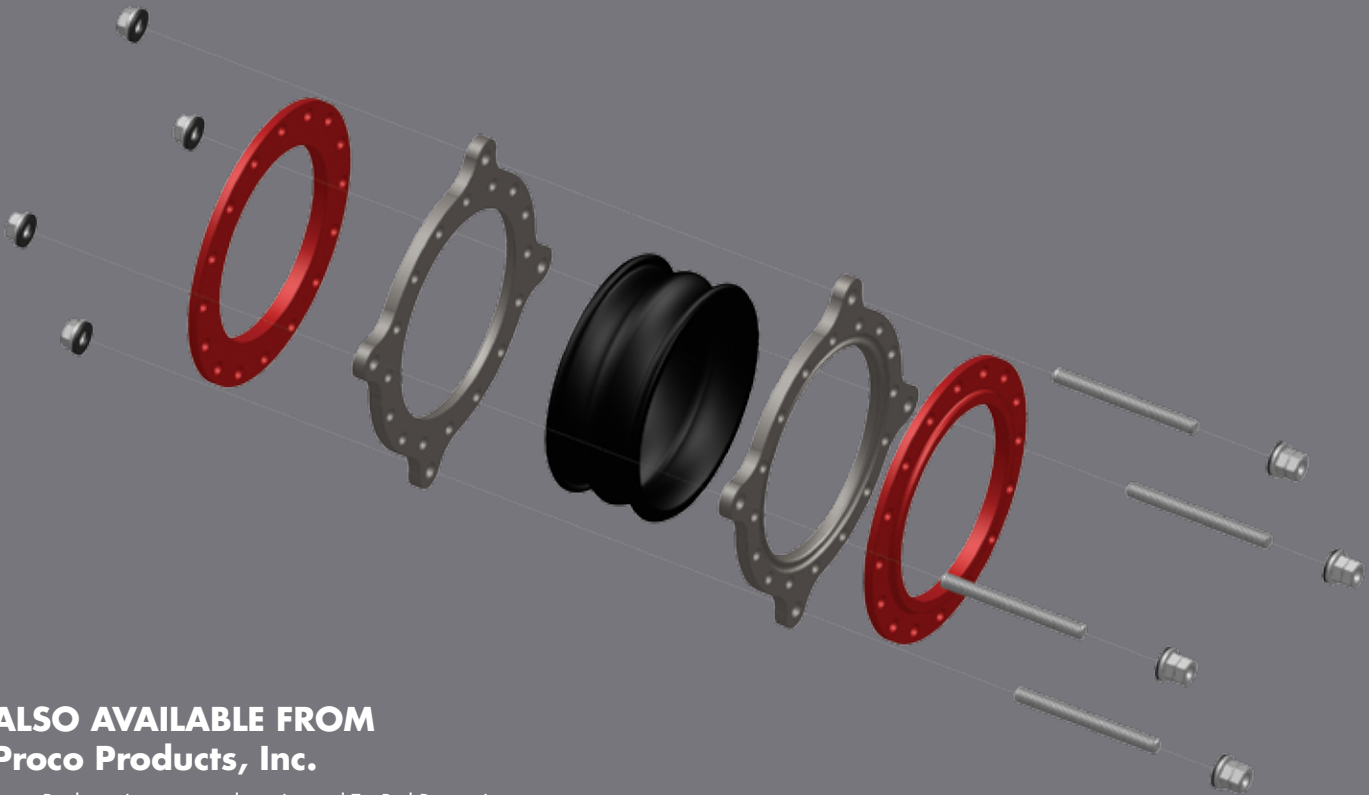
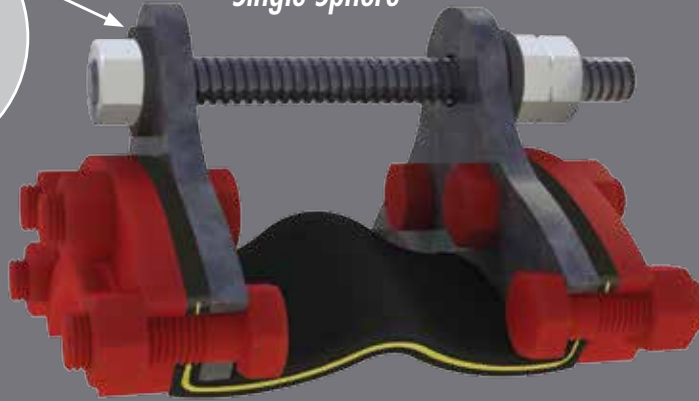


Note: Bolt torque based on new bolts and nuts



Optional
Spherical Washers

240-ITR
Single Sphere



**ALSO AVAILABLE FROM
Proco Products, Inc.**

Proco Products, Inc. can supply an Integral Tie Rod Design Joint when space prohibits use of typical rod designs.



2431 North Wigwam Dr. (95205)
P.O. Box 590 • Stockton, CA
95201-0590 • USA

NATIONWIDE AND CANADA

INTERNATIONAL

Toll-Free Phone: (800) 344-3246

Facsimile: (209) 943-0242

(209) 943-6088

email: sales@procoproducts.com

website: <http://www.procoproducts.com>



REPRESENTED BY: