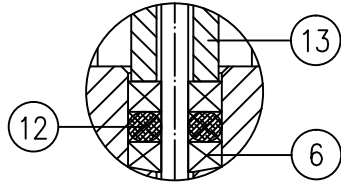
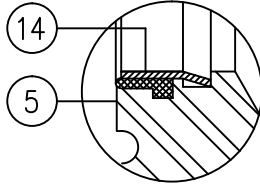


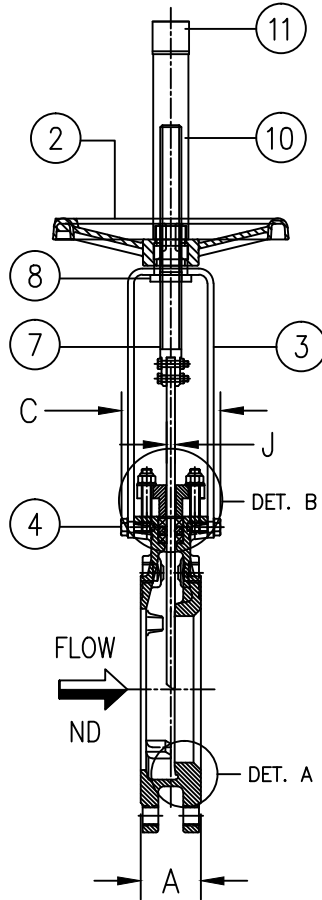
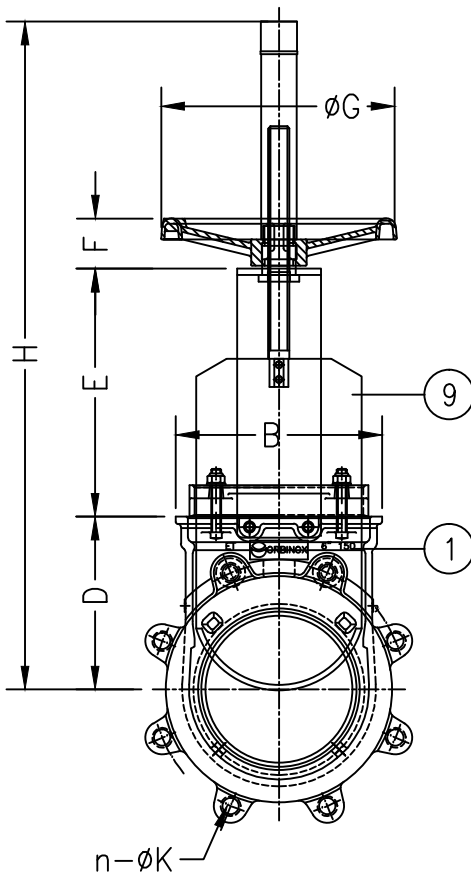
GENERAL ARRANGEMNET DWG



DET. A




DET. B



ND(")	A(")	B(")	C(")	D(")	E(")	F(")	øG(")	H(")	øK(")	n UNC	J
2	1.9	4.9	3.94	3.85	5.35	1.85	8.86	16.54	4.7	4-5/8"	0.2
2.5	2	5.5	3.54	4.5	6	1.85	8.86	17.72	5.4	4-5/8"	0.2
3	2	5.87	3.94	4.68	6.38	1.85	8.86	18.50	6.0	4-5/8"	0.24
4	2	6.65	3.94	5.47	7.36	1.85	8.86	20.43	7.5	8-5/8"	0.31
5	2.25	6.65	3.94	5.9	8.78	1.85	8.86	24.13	8.5	8-3/4"	0.31
6	2.25	7.75	3.94	6.50	9.33	1.85	8.86	25.27	9.5	8-3/4"	0.31
8	2.75	9.72	4.80	7.99	12.16	2.64	12.20	32.28	11.7	8-3/4"	0.39
10	2.75	11.73	4.80	9.17	13.58	2.64	16.14	38.81	14.2	12-7/8"	0.47
12	3	13.74	4.80	10.74	15.35	2.72	16.14	42.16	17.0	12-7/8"	0.47
14	3	15.39	7.6	12.28	17.04	2.60	16.14	49.01	18.7	12-1"	0.59
16	3.5	17.28	7.6	16.66	18.81	2.60	16.14	52.16	21.2	12-1"	0.59
18	3.5	19.01	7.76	16.33	21.73	2.64	21.65	59.49	22.7	16-1 1/8"	0.79
20	4.5	21.33	7.76	17.71	24.05	2.64	21.65	63.66	25.0	20-1 1/8"	0.79
24	4.5	25.08	7.76	19.72	27.44	2.64	21.65	74.13	29.5	20-1 1/4"	0.98

ITEM	PART NAME	QTY	MATERIAL
14	SEAT RING	1	304 SS
13	PACKING GLAND	1	CF8M
12	O-RING	1	EPDM
11	CAP	1	PLASTIC
10	STEM PROTECTOR	1	STEEL
9	GATE	1	304 SS
8	BUSHING	1	BRONZE
7	STEM	1	430 SS
6	PACKING	-	PTFE
5	SEAT	1	EPDM
4	BOLTS + NUTS	-	A2
3	YOKE	1	STEEL
2	HANDWHEEL	1	2"-12" DUCTILE IRON GGG40 14"-24" CAST IRON GG25
1	BODY	1	CF8

DWG #2"-24"-Ser.-20-3434R-Hw			
Valves Tested Conformed To Standards TIS405-8 and MSS-SP81		DRAWN BY	MOMO 08/30/13
		CHECKED BY	PM. 08/30/13
CUSTOMER:	X	APP. BY	PM. 08/30/13
PROJECT:	X	20-3434R-2-24	
ORDER#:	X		
CUST. APP.	X		
2"-24" SER. 20 VALVE HANDWHEEL ACTUATOR			

REV	DESCRIPTION	Rev. By	Check	Date	REV	DESCRIPTION	Rev. By	Check	Date
0		-	-	-	0		-	-	-