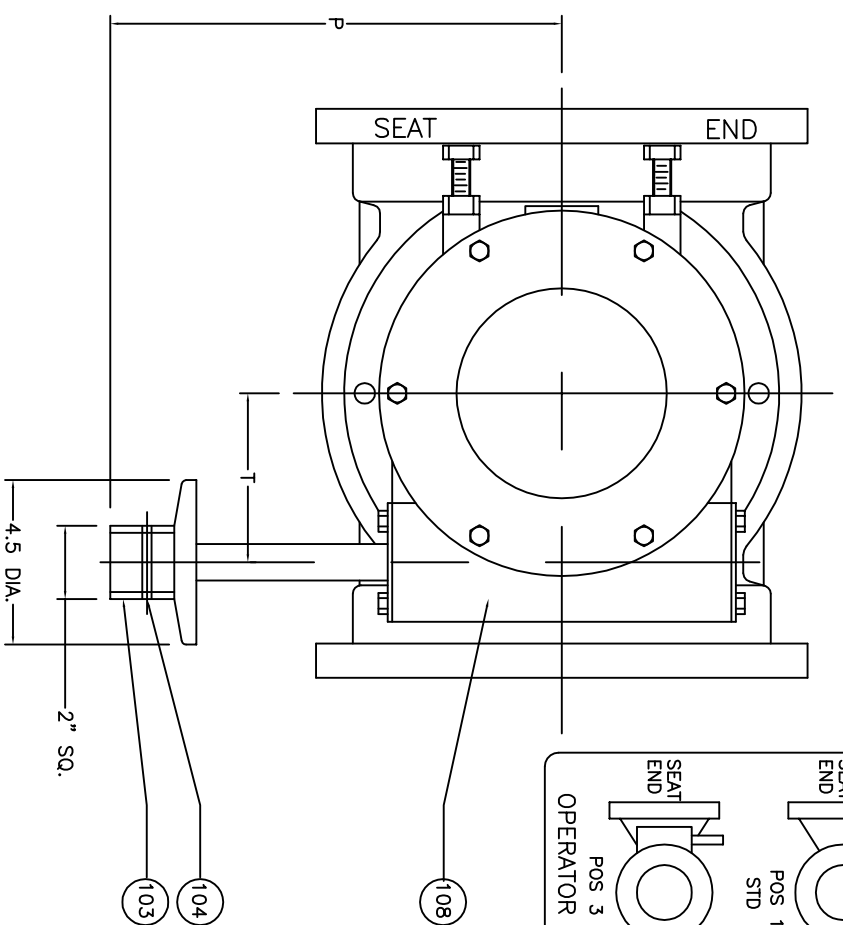
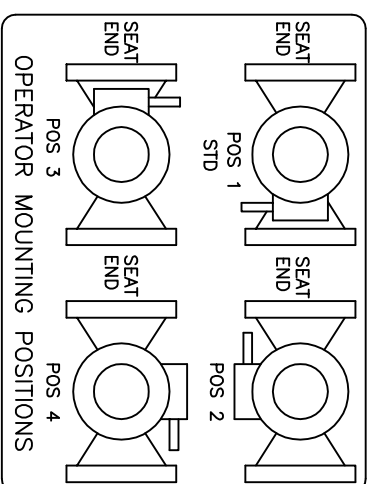
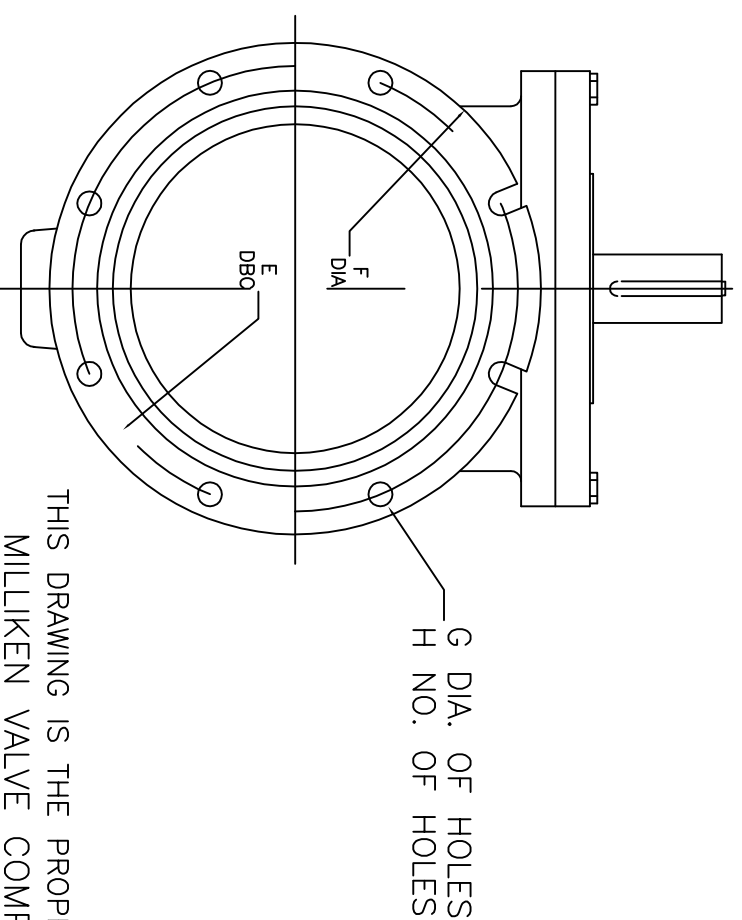
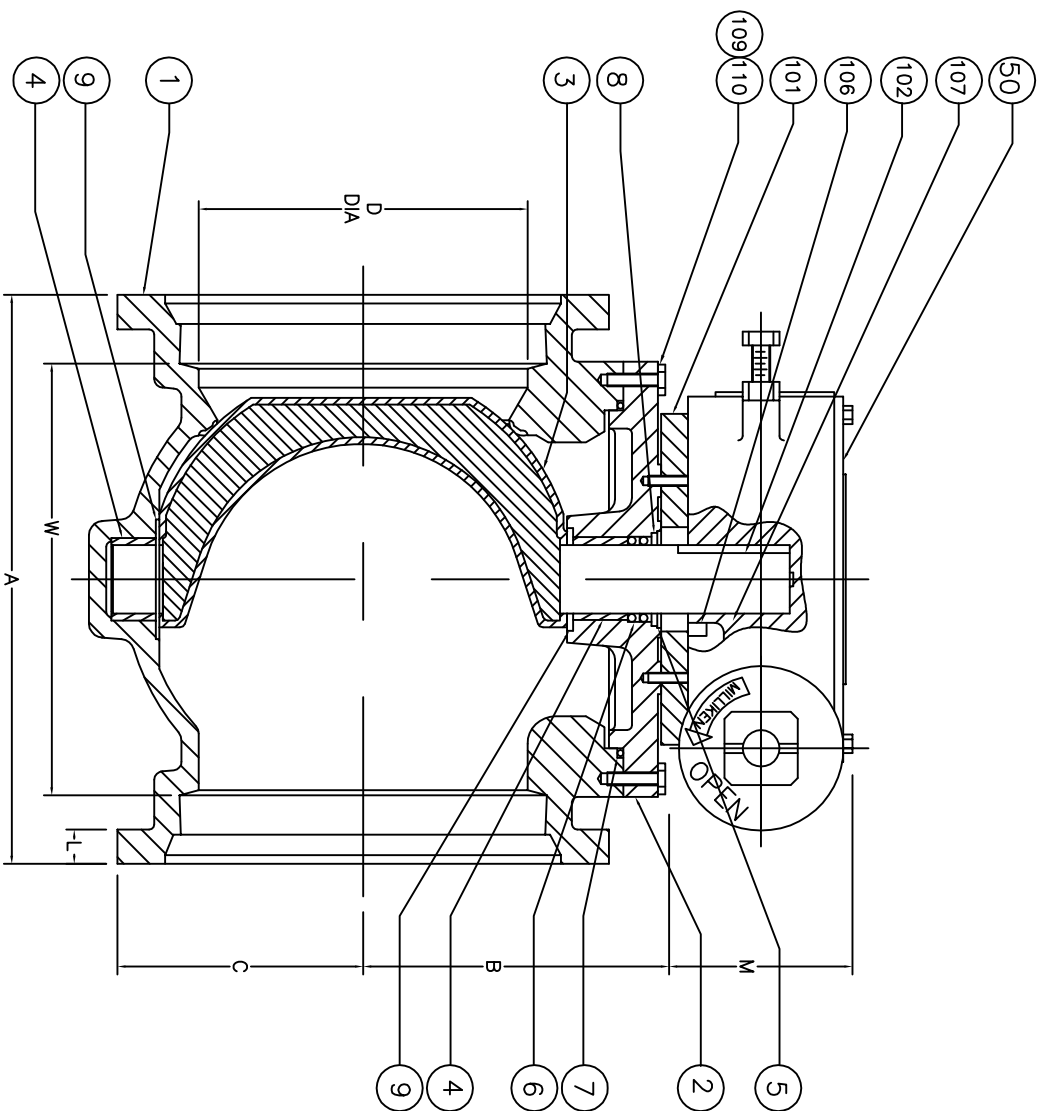


REFERENCE ONLY



VALVE SIZE	GEAR SIZE	A	B	C	D	E	F	G	H	L	M	P	T	W
3	M3	11.50	3.34	3.84	3	6.19	7.63	0.75	4	0.94	4.19	8	2.56	6.50
4	M3	14.25	4.31	4.50	4	7.50	9.13	0.88	4	1	3.88	8	2.56	9.25
6	M3	15.75	5.56	5.75	6	9.50	11.13	0.88	6	1.06	3.88	8	2.56	10.75
8	M5	17.38	7.38	7.63	8	11.75	13.38	0.88	6	1.13	4.31	8	3.16	12.38
10	M8	19.38	9.13	8.88	10	14	15.63	0.88	8	1.19	5.25	10	4.63	14.38
12	M8	20.75	10.81	10	12	16.25	17.94	0.88	8	1.25	5.25	10	4.63	15.75



110	AR	CAP SCREW	STEEL/ZINC
109	AR	LOCKWASHER	STEEL/ZINC
108	1	WORM GEAR	STEEL
107	1	QUAD GEAR	DUCTILE IRON
106	2	SLEEVE BEARING	BRONZE
104	1	SPRING PIN	STEEL
103	1	2" NUT	DUCTILE IRON
102	1	KEY	STEEL
101	1	RISER RING	STEEL
50	1	HOUSING	DUCTILE IRON
9	2	WASHER	PTFE
8	1	WASHER	BRASS
7	1	O RING	ELAS AS SPEC.
6	2	U CUP SEAL	ELAS AS SPEC.
5	1	RETAINING RING	SPRING STEEL
4	2	SLEEVE BEARING	316 STN. STEEL
3	1	PLUG ELASTOMER AS SPEC.	DUCTILE IRON
2	1	CAP	A 126 CL B
1	1	BODY	A 126 CL B

MILLIKEN  
VALVE CO.

DATE	REVISIONS	BY	TITLE:
11/99	ITEM 8 WAS BRONZE	CR	FIG. 600
2 09/08	3" "C" WAS 3.75"	JC	3"-12" MILLICENTRIC
3 02/10	ITEM 50 MTRL. CHANGED FROM CAST TO [ECR# 252]	JC	PLUG VALVE, MJ ENDS GEAR OPERATED W/ 2" NUT

THIS DRAWING IS THE PROPERTY OF  
MILLIKEN VALVE COMPANY  
AND MUST NOT BE USED IN ANY WAY  
PREJUDICIAL TO THEIR INTERESTS

DATE	ISSUE NUM.	BY	SCALE
10/95		CR	NONE

DWG. NO. S49012