

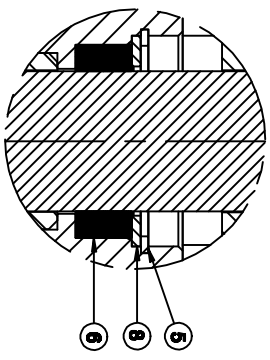
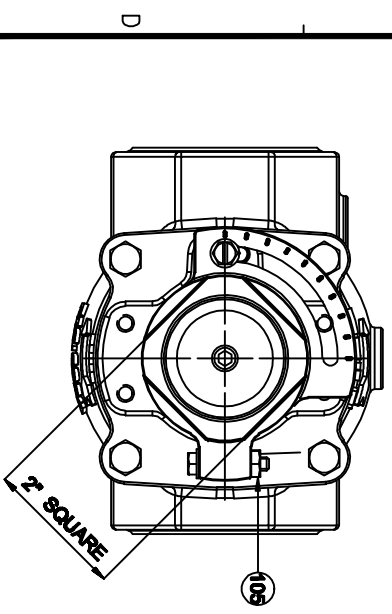
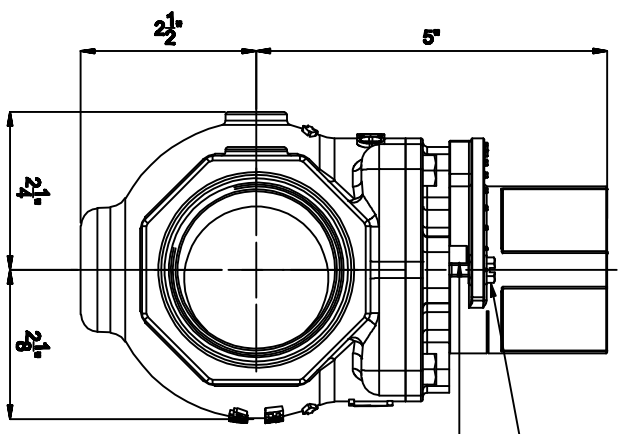
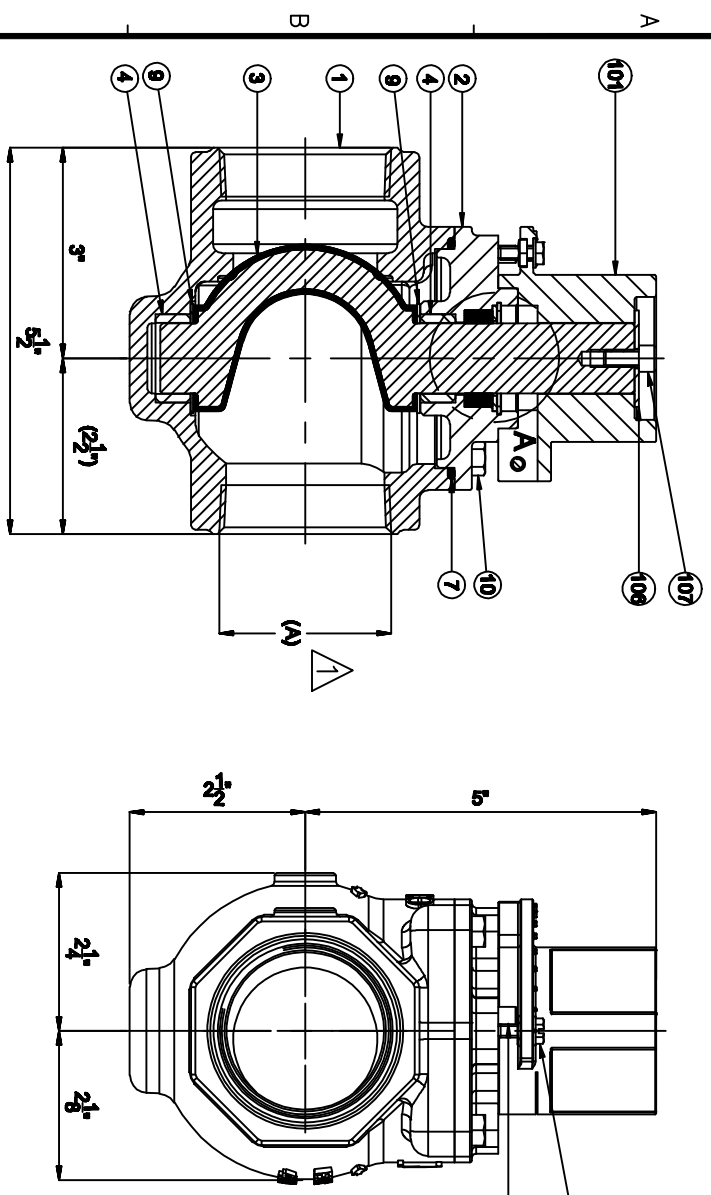
| VALVE SIZE | THREAD SIZE (A) |
|------------|-------------------|
| 1-1/4" | 1-1/4" - 11.5 NPT |
| 1-1/2" | 1-1/2" - 11.5 NPT |
| 2-0" | 2-0" - 11.5 NPT |

BODY MARKINGS

FIG. 613A
400 CWP
A536

REFERENCE ONLY

DRAWINGS ARE FOR INFORMATION PURPOSES ONLY; PLEASE REQUEST CERTIFIED DRAWINGS BEFORE PREPARING PIPING DIAGRAMS



| ITEM | QUANTITY | DESCRIPTION | MATERIAL |
|------|----------|---------------------------|--------------------------------|
| 107 | 1 | CAP SCREW | STEEL/ZINC |
| 106 | 1 | RETAINING WASHER | STEEL/ZINC |
| 105 | 1 | TORQUE ADJ. BOLT | STEEL/ZINC |
| 104 | 1 | BODY STOP | STEEL/ZINC |
| 103 | 1 | ADJ. CLOSE STOP | STEEL/ZINC |
| 102 | 1 | ADJ. OPEN STOP | STEEL/ZINC |
| 101 | 1 | TORQUE COLLAR | DUCTILE IRON A536 GR. 65-45-12 |
| 10 | AR | CAP SCREW | STEEL/ZINC |
| 9 | 2 | WASHER | PTFE |
| 8 | 1 | WASHER | BRASS/STEEL |
| 7 | 1 | "O" RING | ELASTOMER AS SPEC. |
| 6 | 2 | U CUP SEALS | ELASTOMER AS SPEC. |
| 5 | 1 | RETAINING RING | SPRING STEEL |
| 4 | 2 | SLEEVE BEARING | 316 STAINLESS STEEL |
| 3 | 1 | PLUG (ELASTOMER AS SPEC.) | DUCTILE IRON A536 GR. 65-45-12 |
| 2 | 1 | BONNET (CAP) | DUCTILE IRON A536 GR. 65-45-12 |
| 1 | 1 | BODY | DUCTILE IRON A536 GR. 65-45-12 |

MATERIAL LIST

| ISSUE | CHANGE NO. OR DESCRIPTION | DATE | BY |
|-------|--|-------|----|
| 1 | ADDED SIZES 1-1/4" & 1-1/2" INCH VALVES PER TECH# 508J | 06/11 | JC |
| 2 | - | - | - |

THIS DRAWING IS THE PROPERTY OF **MILITKEN VALVE CO.** AND MUST NOT BE USED IN ANY WAY PREJUDICIAL TO THEIR INTERESTS

TITLE: 1-1/4"-2" FIG. 613A DUCTILE IRON, THREADED END, ANSI 125 MILLICENTRIC PLUG VALVE WITH A TORQUE COLLAR

TYPE: 0125/0150/0200-613A-TC
DRAWING NO.: S46587