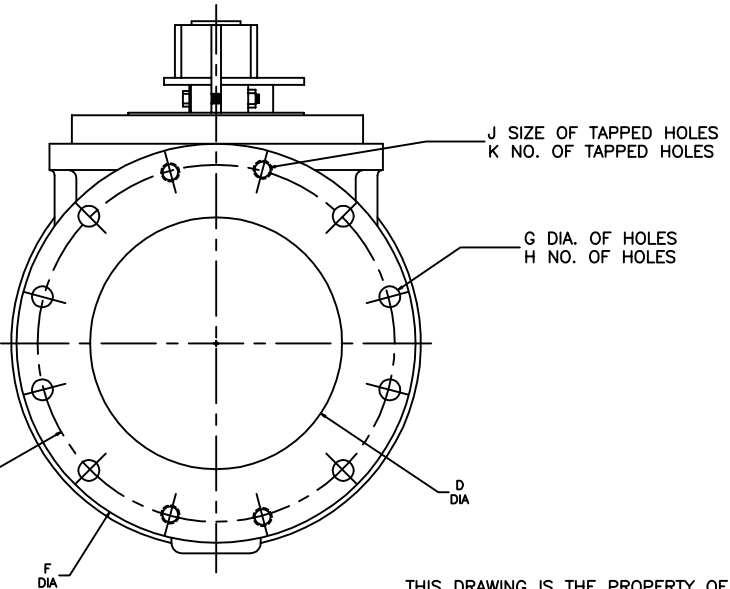
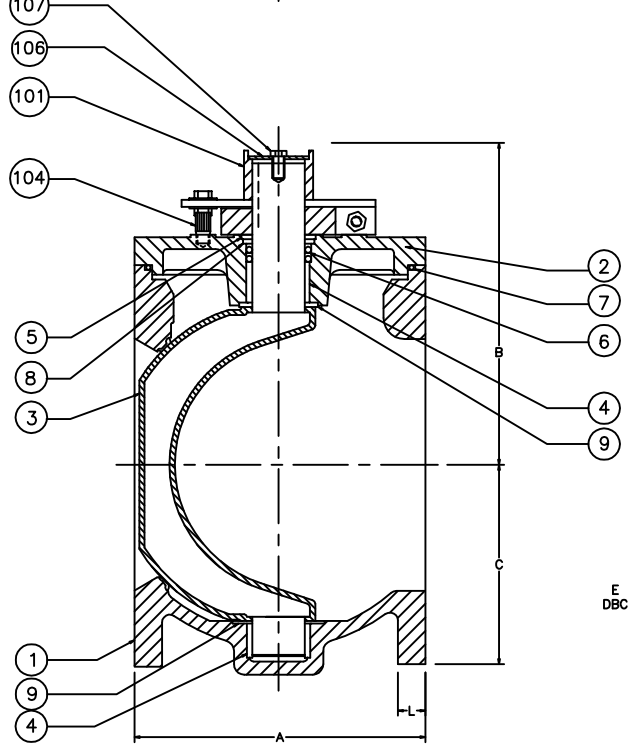


VALVE SIZE	A	B	C	D	E	F	G	H	J	K	L
2 1/2	7.50	6.19	3.50	2.50	5.50	7	0.75	4	---	-	0.69
3	8	6.19	3.75	3	6.00	7.50	0.75	4	---	-	0.75
4	9	7.25	4.50	4	7.50	9	0.75	6	0.63	2	0.94
5	10	8.38	5.75	5	8.50	10	0.88	6	0.75	2	0.94
6	10.50	8.38	5.75	6	9.50	11	0.88	6	0.75	2	1
8	11.50	10.69	7.63	8	11.75	13.50	0.88	6	0.75	2	1.13

REFERENCE ONLY

107	1	CAP SCREW	STL/ZINC
106	1	RETAINING WASHER	STL/ZINC
105	1	TORQUE ADJ. BOLT	STL/ZINC
104	1	BODY STOP	STL/ZINC
103	1	ADJ. CLOSE STOP	STL/ZINC
102	1	ADJ. OPEN STOP	STL/ZINC
101	1	TORQUE COLLAR	DUCTILE IRON
10	AR	CAP SCREW	STL/ZINC
9	2	WASHER	PTFE
8	1	WASHER	BRASS
7	1	O RING	ELAS AS SPEC.
6	2	U CUP SEAL	ELAS AS SPEC.
5	1	RETAINING RING	SPRING STEEL
4	2	SLEEVE BEARING	316 STN. STEEL
3	1	PLUG ELASTOMER AS SPEC.	DUCTILE IRON
2	1	CAP	A 126 CL B
1	1	BODY	A 126 CL B
ITEM	QTY	DESCRIPTION	MATERIAL



THIS DRAWING IS THE PROPERTY OF  
MILLIKEN VALVE COMPANY  
AND MUST NOT BE USED IN ANY WAY  
PREJUDICIAL TO THEIR INTERESTS

MILLIKEN VALVE CO.		BY	CR	DATE	7/97	SCALE	NONE
		CHK'D		DIMENSIONS		INCHES	
DATE	REVISIONS	BY	TITLE:				
	ORIGINAL DWG. BY JD ON 3/89		FIG. 601 2 1/2"-8" MILLICENTRIC PLUG VALVE, FLANGED, WRENCH OPERATED				
10/93	CHANGED SHAFT	CR					
7/97	REDRAWN ON CADD	CR					
1/99	REDID ITEMS 10-107 ROTATED OPEN STOP 90 DEGREES ADD CAP SCREW 107	CR					
11/99	ITEM 8 WAS BRONZE	CR	DWG. NO.	S49010			