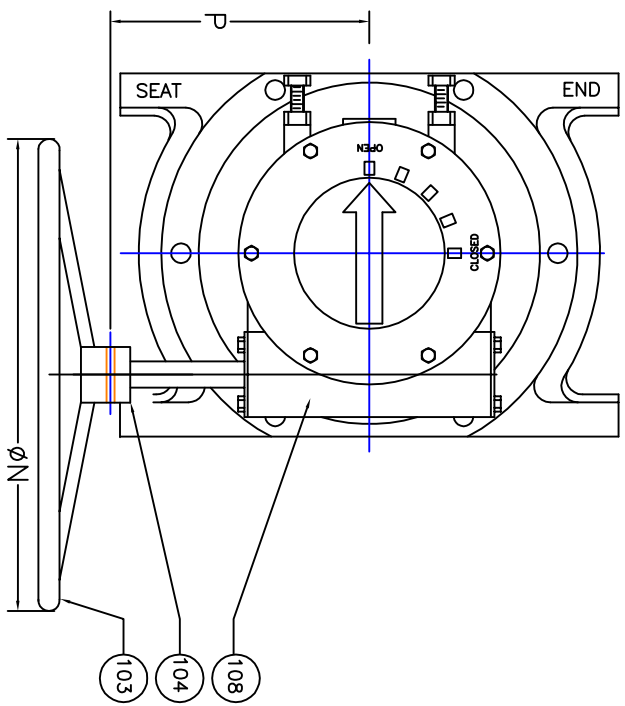
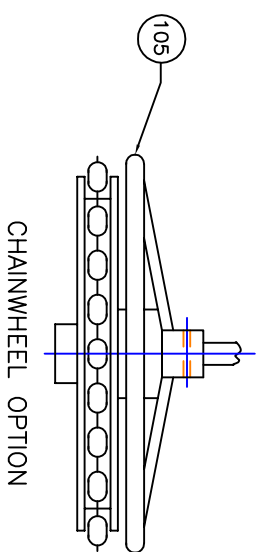
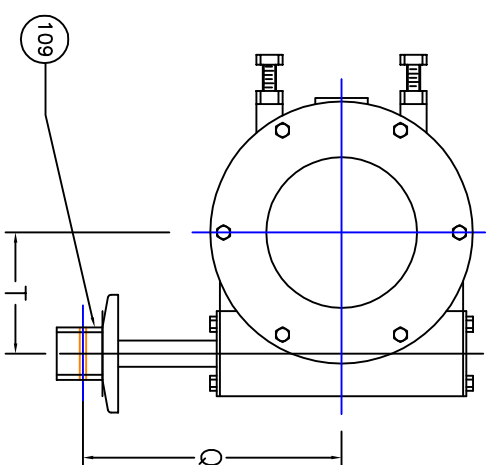


REFERENCE ONLY

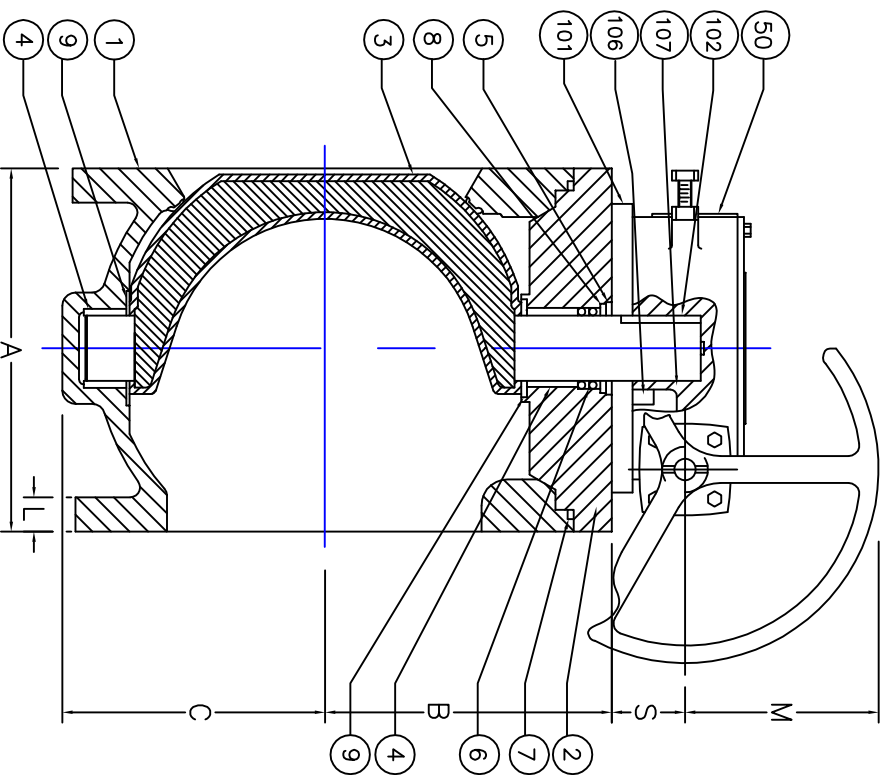
ABOVE GROUND GEAR  
W/ HANDWHEEL  
OPTION



BURIED GEAR  
W/ 2" NUT  
OPTION

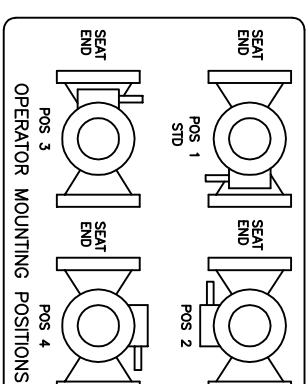


CHAINWHEEL OPTION



VALVE SIZE	GEAR SIZE & RATIO	A	B	C	D	E	F	G	H	J	K	L	M	N	P	Q	S	T
2.5	232-07 (20:1)	7.5	3.25	3.50	2.5	5.50	7.00	0.75	4	--	-	0.69	2.5	5	4.75	4.75	2.0	2.00
3	232-07 (20:1)	8	3.34	3.75	3	6.00	7.50	0.75	4	--	-	0.75	2.5	5	4.75	4.75	2.0	2.00
4	M3 (30:1)	9	4.31	4.50	4	7.50	9	0.75	6	0.63	2	0.94	3	6	9.50	8	2	2.56
5	M3 (30:1)	10	5.56	5.75	5	8.50	10	0.88	6	0.75	2	0.94	3	6	9.50		2	2.56
6	M3 (30:1)	10.50	5.56	5.75	6	9.50	11	0.88	6	0.75	2	1	3	6	9.50	8	2	2.56
8	M5 (50:1)	11.50	7.38	7.63	8	11.75	13.50	0.88	6	0.75	2	1.13	6	12	11.25	8	2.3	3.16
10	M8 (80:1)	13	9.13	8.88	10	14.25	16	1	8	0.88	4	1.19	6	12	11.63	10	2.5	4.63
12	M8 (80:1)	14	10.81	10	12	17.00	19	1	8	0.88	4	1.25	6	12	11.63	10	2.5	4.63
14	M8 (80:1)	17	12.75	13	14	18.75	21	1.13	8	1	4	1.38	6	12	11.63	10	2.5	4.63

SIZE	GEAR	# OF TURNS
2.5"	20:1	5
3"	20:1	5
4"	30:1	7 1/2
5"	30:1	7 1/2
6"	30:1	7 1/2
8"	50:1	12 1/2
10"	80:1	20
12"	80:1	20
14"	80:1	20



J SIZE OF TAPPED HOLES  
K NO. OF TAPPED HOLES  
G DIA. OF HOLES  
H NO. OF HOLES



ITEM	QTY	DESCRIPTION	MATERIAL
109	1	2" NUT	DUCTILE IRON
108	1	WORM GEAR	AISA 4140 STEEL
107	1	QUAD GEAR	DUCTILE IRON
106	2	SLEEVE BEARING	BRONZE
105	1	CHAINWHEEL	DUCTILE IRON
104	1	SPRING PIN	1095 STEEL
103	1	HANDWHEEL	DUCTILE IRON
102	1	KEY	1018 STEEL
101	1	RISER RING	A536 DI
50	1	HOUSING	DUCTILE IRON
9	2	WASHER	PTFE
8	1	WASHER	BRASS
7	1	O RING	ELAS AS SPEC.
6	2	U CUP SEAL	ELAS AS SPEC.
5	1	RETAINING RING	SPRING STEEL
4	2	SLEEVE BEARING	316 STN. STEEL
3	1	PLUG	ELASTOMER AS SPEC.
2	1	CAP	A 126 CL B
1	1	BODY	A 126 CL B

DATE	REVISIONS	BY	TITLE:
1 12/97	REVISED GEAR DIM. FOR 2.5 & 3" WAS M2 NOW ALECTO 232-07	CR	2-1/2" TO 14" FIG. 601 MILLICENTRIC PLUG VALVE, FLANGED, GEAR OPERATED W/ HANDWHEEL, 2" NUT, OR CHAINWHEEL OPTION
2 11/99	ITEM 8 WAS BRONZE	CR	
3 09/07	ADDED MTRL. TYPE	JC	
4 02/10	ITEM 50 MATERIAL CHANGED FROM CAST TO DUCTILE IRON [ECR# 252]	JC	

THIS DRAWING IS THE PROPERTY OF  
MILLIKEN VALVE COMPANY  
AND MUST NOT BE USED IN ANY WAY  
PREJUDICIAL TO THEIR INTERESTS

ISSUE NO.	DATE	REVISIONS	BY	TITLE:
1	12/97	REVISED GEAR DIM. FOR 2.5 & 3" WAS M2 NOW ALECTO 232-07	CR	2-1/2" TO 14" FIG. 601 MILLICENTRIC PLUG VALVE, FLANGED, GEAR OPERATED W/ HANDWHEEL, 2" NUT, OR CHAINWHEEL OPTION
2	11/99	ITEM 8 WAS BRONZE	CR	
3	09/07	ADDED MTRL. TYPE	JC	
4	02/10	ITEM 50 MATERIAL CHANGED FROM CAST TO DUCTILE IRON [ECR# 252]	JC	

BY	DATE	SCALE
CR	10/95	NONE

DWG. NO.	DIMENSIONS	INCHES
S49110		