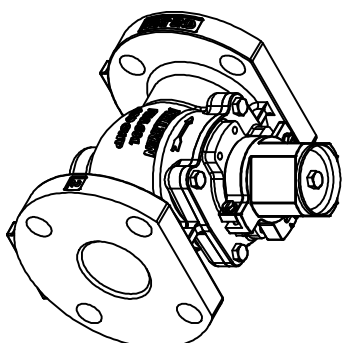


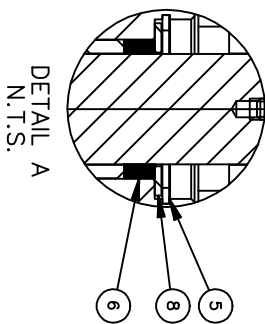
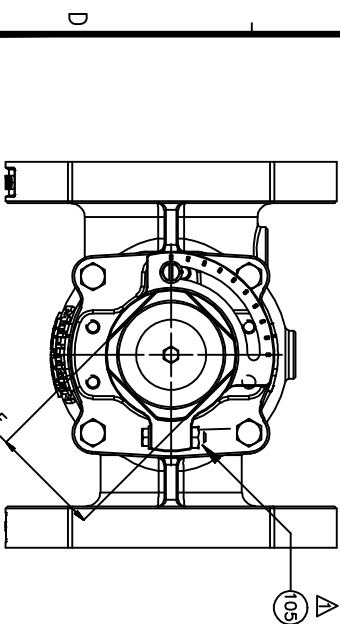
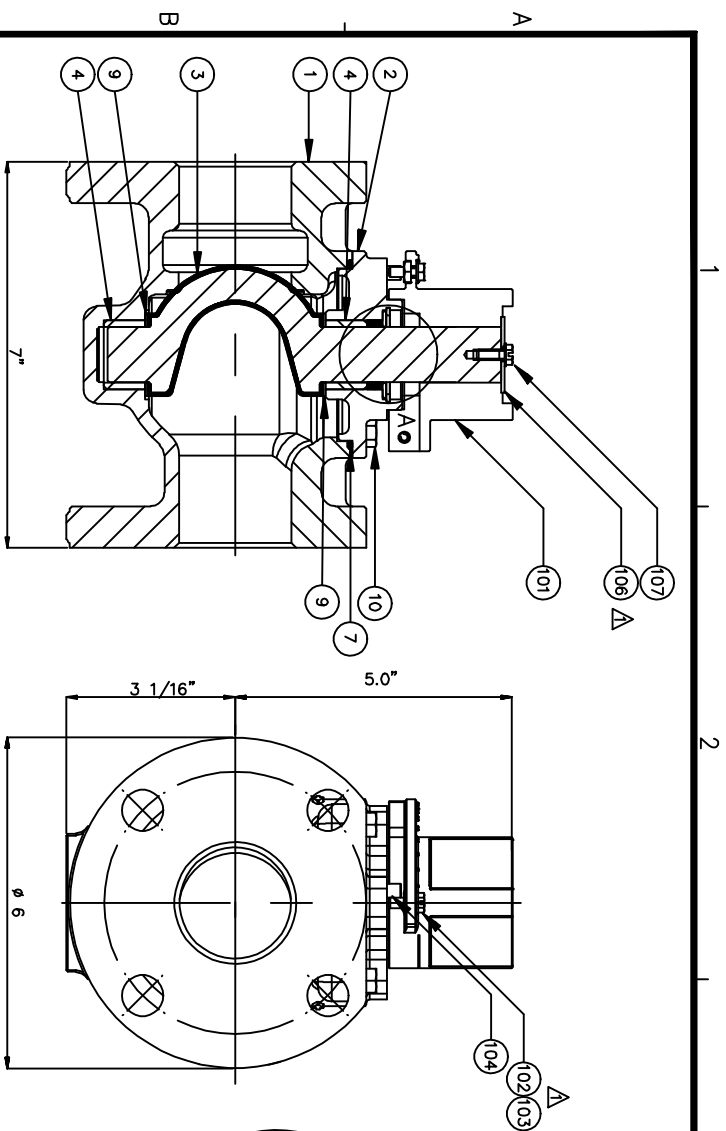
REFERENCE ONLY



ISOMETRIC VIEWS
N.T.S.

FIG. 611A
175 CWP
A536

BODY MARKINGS



DRAWINGS ARE FOR
INFORMATION PURPOSES ONLY;
PLEASE REQUEST CERTIFIED DRAWINGS
BEFORE PREPARING PIPING DIAGRAMS

ITEM	QUANTITY	DESCRIPTION	MATERIAL
107	1	CAP SCREW	STEEL/ZINC
106	1	RETAINING WASHER	STEEL/ZINC
105	1	TORQUE ADJ. BOLT	STEEL/ZINC
104	1	BODY STOP	STEEL/ZINC
103	1	ADJ. CLOSE STOP	STEEL/ZINC
102	1	ADJ. OPEN STOP	STEEL/ZINC
101	1	TORQUE COLLAR	DUCTILE IRON A536 GR. 65-45-12
10	AR	CAP SCREW	STEEL/ZINC
9	2	WASHER	PTFE
8	1	WASHER	BRASS/STEEL
7	1	"O" RING	ELASTOMER AS SPEC.
6	2	U CUP SEALS	ELASTOMER AS SPEC.
5	1	RETAINING RING	SPRING STEEL
4	2	SLEEVE BEARING	316 STAINLESS STEEL
3	1	PLUG (ELASTOMER AS SPEC.)	DUCTILE IRON A536 GR. 65-45-12
2	1	BONNET (CAP)	DUCTILE IRON A536 GR. 65-45-12
1	1	BODY	DUCTILE IRON A536 GR. 65-45-12

MATERIAL LIST

THIS DRAWING IS THE PROPERTY OF
MILITKEN VALVE CO.
AND
MUST NOT BE USED IN ANY WAY
PREJUDICIAL TO THEIR INTERESTS

ISSUE	CHANGE NO. OR DESCRIPTION	DATE	BY
1	GENERAL REVISIONS (ECAF 339)	07/19/10	W
2	ITEM 102 MTL. THE CHANGED ITEM	09/07/11	W
3			
4			

REVISIONS	DATE	BY
1	07/19/10	W
2	09/07/11	W
3		
4		

TITLE: 2" (50mm) FIG. 611A M.P.V. FLANGED

ANSI 125 VALVE, WITH TORQUE COLLAR

DRAWING NO.: S46894