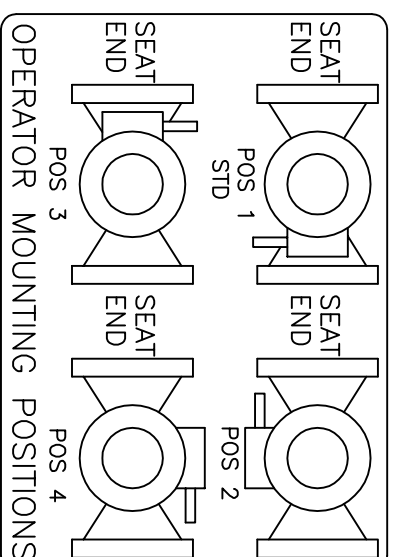
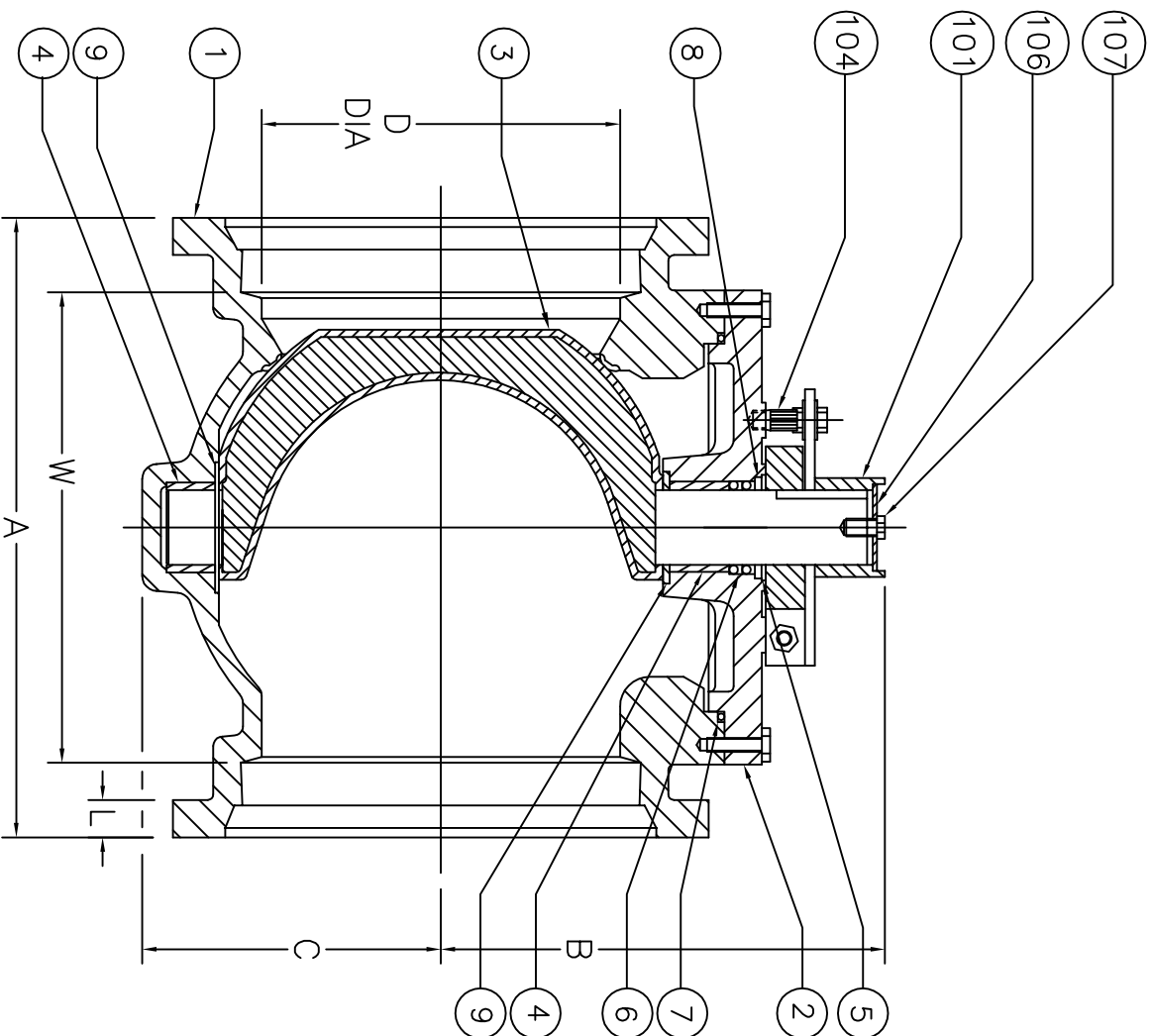
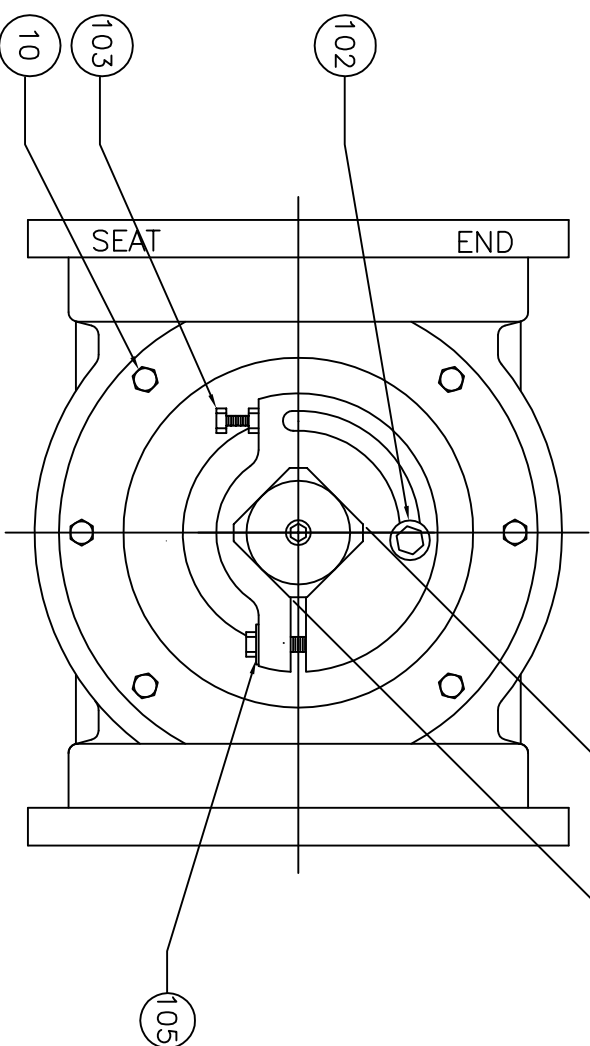
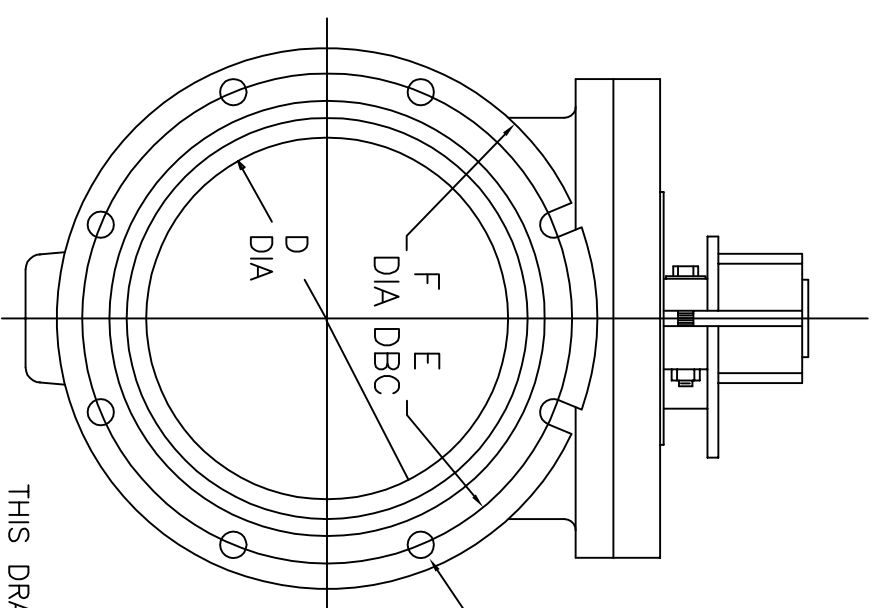


REFERENCE ONLY 2" SQ. DRIVE



VALVE SIZE	A	B	C	D	E	F	G	H	L	W
3	11.50	6.19	3.75	3	6.19	7.63	0.75	4	0.94	6.50
4	14.25	7.25	4.50	4	7.50	9.13	0.88	4	1	9.25
6	15.75	8.38	5.75	6	9.50	11.13	0.88	6	1.06	10.75
8	17.38	10.69	7.63	8	11.75	13.38	0.88	6	1.13	12.38



G DIA. OF HOLES
H NO. OF HOLES

THIS DRAWING IS THE PROPERTY OF
MILLIKEN VALVE COMPANY
AND MUST NOT BE USED IN ANY WAY
PREJUDICIAL TO THEIR INTERESTS

ITEM	QTY	DESCRIPTION	MATERIAL
107	1	CAP SCREW	STL/ZINC
106	1	RETAINING WASHER	STL/ZINC
105	1	TORQUE ADJ. BOLT	STL/ZINC
104	1	BODY STOP	STL/ZINC
103	1	ADJ. CLOSE STOP	STL/ZINC
102	1	ADJ. OPEN STOP	STL/ZINC
101	1	TORQUE COLLAR	DUCTILE IRON
10	AR	CAP SCREW	STL/ZINC
9	2	WASHER	PTFE
8	1	WASHER	BRASS
7	1	O RING	ELAS AS SPEC.
6	2	U CUP SEAL	ELAS AS SPEC.
5	1	RETAINING RING	SPRING STEEL
4	2	SLEEVE BEARING	316 STN. STEEL
3	1	PLUG ELASTOMER AS SPEC.	DUCTILE IRON
2	1	CAP	A 126 CL B
1	1	BODY	A 126 CL B

DATE		REVISIONS		BY
10/93	ORIGINAL DWG.	BY JD ON	4/89	CR
12/94	CHANGED STEM TO SINGLE DIA.			CR
7/97	ADDED KEYWAY VIEW			CR
1/99	REDD. ITEMS 10-107 ROTATED OPEN STOP 90 DEGREES ADD CAP SCREW 107			CR
12/99	ITEM 8 WAS BRONZE			CR

TITLE:		BY	DATE	SCALE
MILLIKEN VALVE CO.		CR	7/97	NONE
CHK'D		DIMENSIONS		INCHES

DWG. NO.	S49013
----------	--------

FIG. 600
3"-8" MILLICENTRIC
PLUG VALVE, MJ ENDS,
WRENCH OPERATED