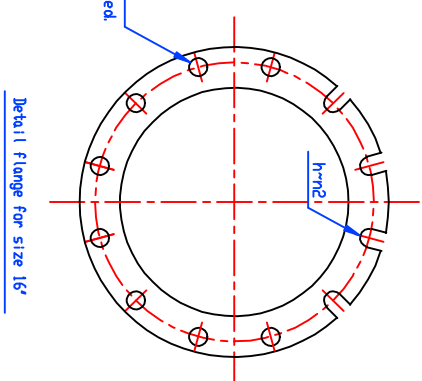
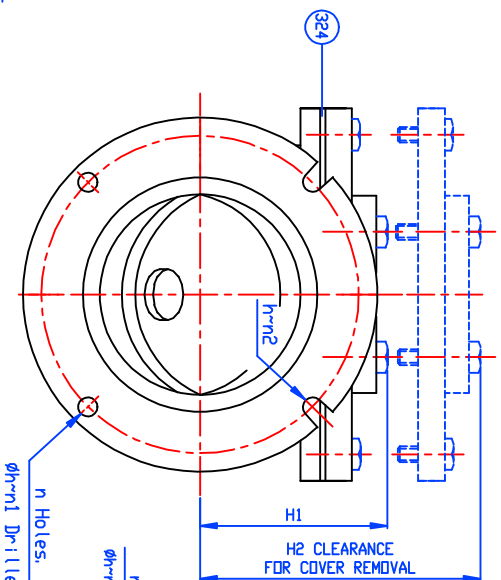
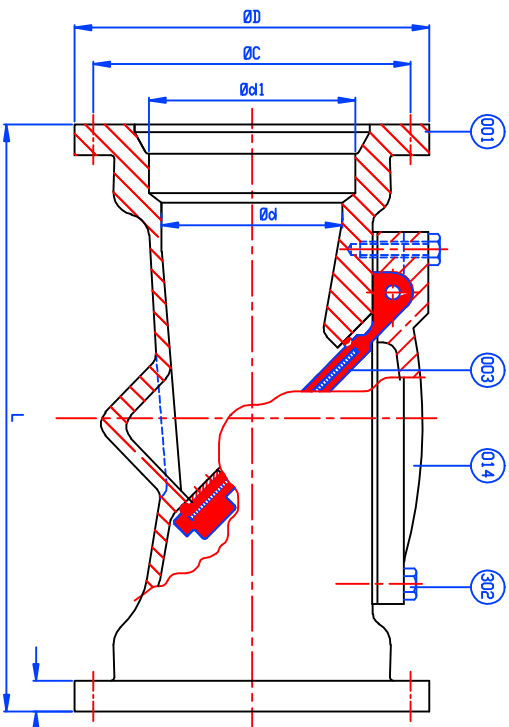
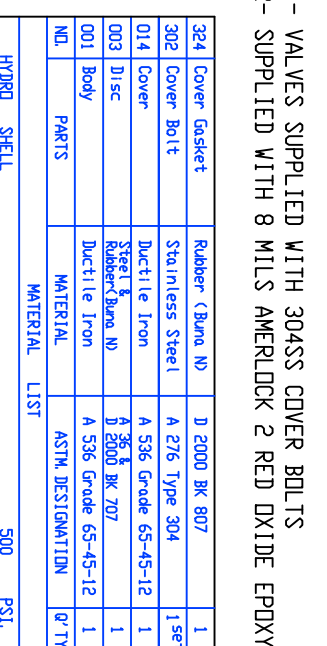
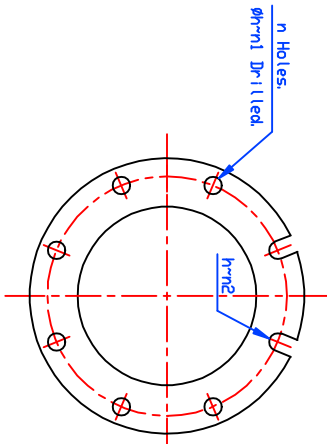
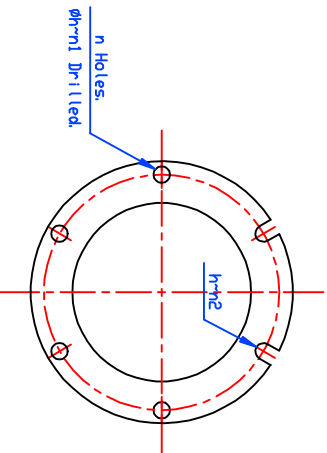


REFERENCE ONLY



NOTES:

- 1 - VALVES SUPPLIED WITH 304SS COVER BOLTS
- 2- SUPPLIED WITH 8 MILS AMERLDOCK 2 RED OXIDE EPOXY



Remark - Dimensions in inches

- End flanges mechanical joint conform to ANSI/AWWA C111/A21.11

SIZE Ød in, mm	L	ØD	ØC	Ød1	Øh	n	h	n1	n2	T	H1	H2
3 (80)	13	7.69	6.19	4.06	3/4	4	3/4	2	2	0.94	3.90	4.69
4 (100)	14.96	9.12	7.50	4.90	7/8	4	7/8	2	2	1	4.65	5.63
6 (150)	19.3	11.12	9.50	7	7/8	6	7/8	4	2	1.06	6.22	7.28
8 (200)	23.81	13.37	11.75	9.15	7/8	6	7/8	4	2	1.12	7.80	8.98
10 (250)	28.34	15.69	14	11.20	7/8	8	7/8	6	2	1.19	10.20	11.54
12 (300)	33	17.94	16.25	13.30	7/8	8	7/8	6	2	1.25	11.38	12.80
14 (350)	35	20.31	18.75	15.44	7/8	10	7/8	8	2	1.31	12.00	13.89
16 (400)	37	22.56	21	17.54	7/8	12	7/8	8	4	1.38	13.58	15.16



Detail flange for size 6", 8"

Detail flange for size 10", 12"

Detail flange for size 14"

NO.	PARTS	MATERIAL	ASTM DESIGNATION	Q'TY
324	Cover gasket	Rubber (Buna N)	D 2000 BK 807	1
302	Cover Bolt	Stainless Steel	A 276 Type 304	1 set
014	Cover	Ductile Iron	A 536 Grade 65-45-12	1
003	Disc	Steel & Rubber/Buna N	D 2000 BK 207	1
001	Body	Ductile Iron	A 536 Grade 65-45-12	1

HYDRD SHELL	500	PSI.
HYDRD VALVE SEAT	250 <th>PSI.</th>	PSI.
HYDRD BACK SEAT	— <th>PSI.</th>	PSI.
AIR SEAT	— <th>PSI.</th>	PSI.
STEAM	— <th>PSI.</th>	PSI.

WORKING PRESSURE	250	PSI.
TEST PRESSURE	—	PSI.

2025 BROOKFIELD RD, BETHLEHEM, PA 18020		PHONE: 610-861-8003, FAX: 610-861-8004	
SCALE	DR. JON COLPANI	DATE 10/18/10	REV. DWG.
N.T.S.	CHK. []	APP. []	USA1845B

TITLE	MILLIKEN VALVE CO.		
TITLE	3" - 16" FIG. 850MJ MECHANICAL JOINT FLEX CHECK VALVE w/ (BUNA N) TRIM		
TYPE	850MJ-1	DWG NO.	S50632
			REV. 1

REVISION 1, ADDED H1 & H2 DIMENSIONS TO DRAWING, AA, 07/18/11, [ECR# 523]